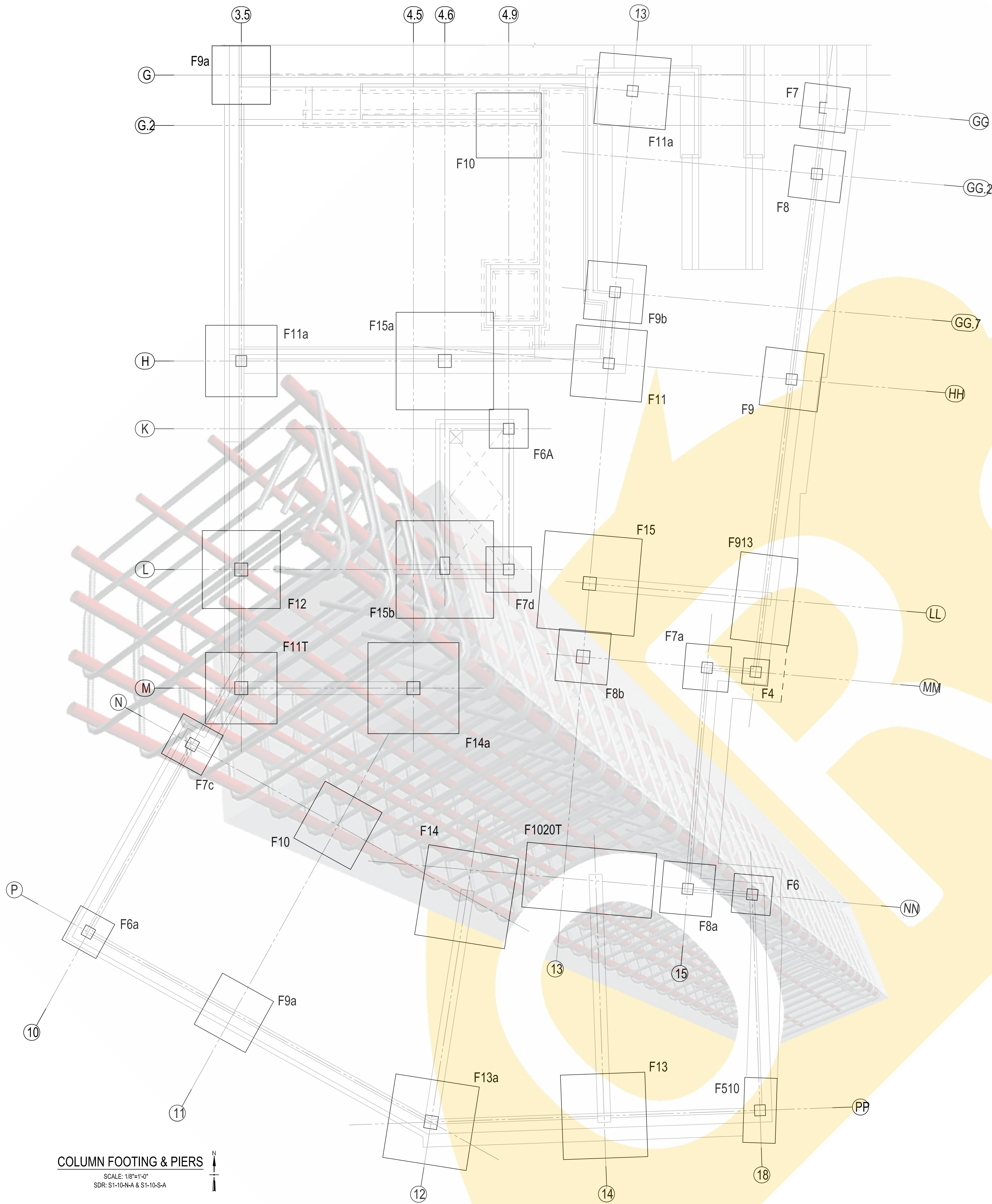


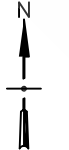
COLUMN FOOTING & PIERS

SCALE: 1/8"=1'-0"
SDR: S1-10-N-A & S1-10-S-A

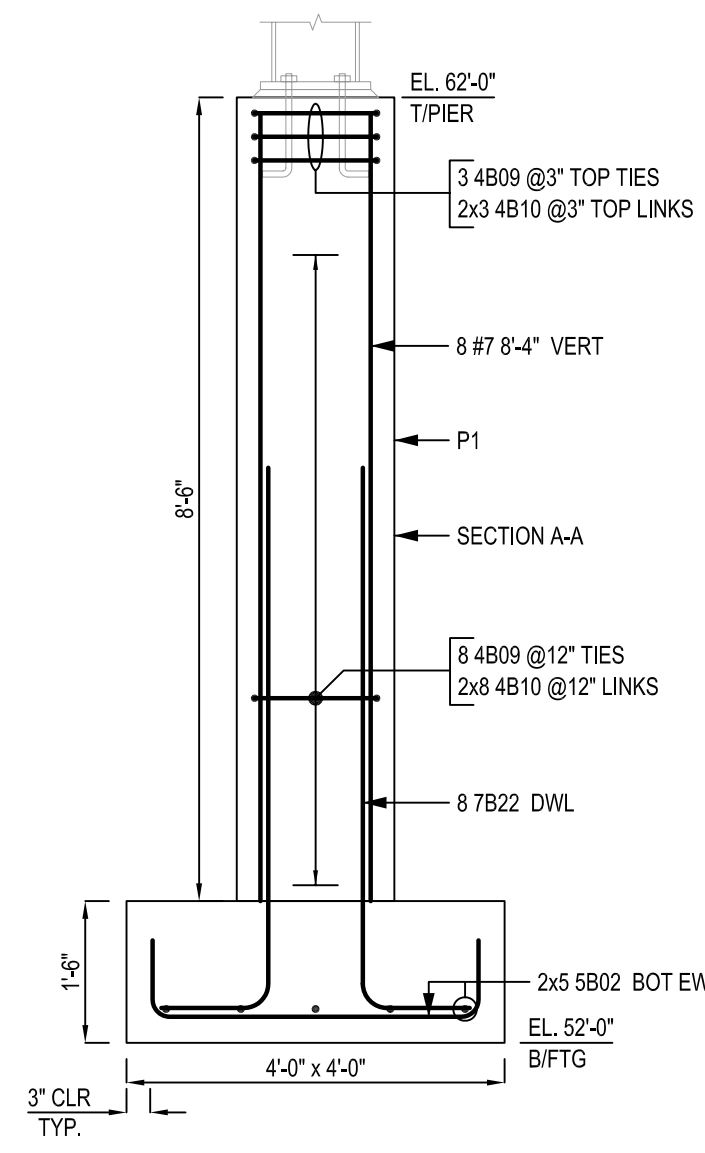
ONCE REBAR SERVICES



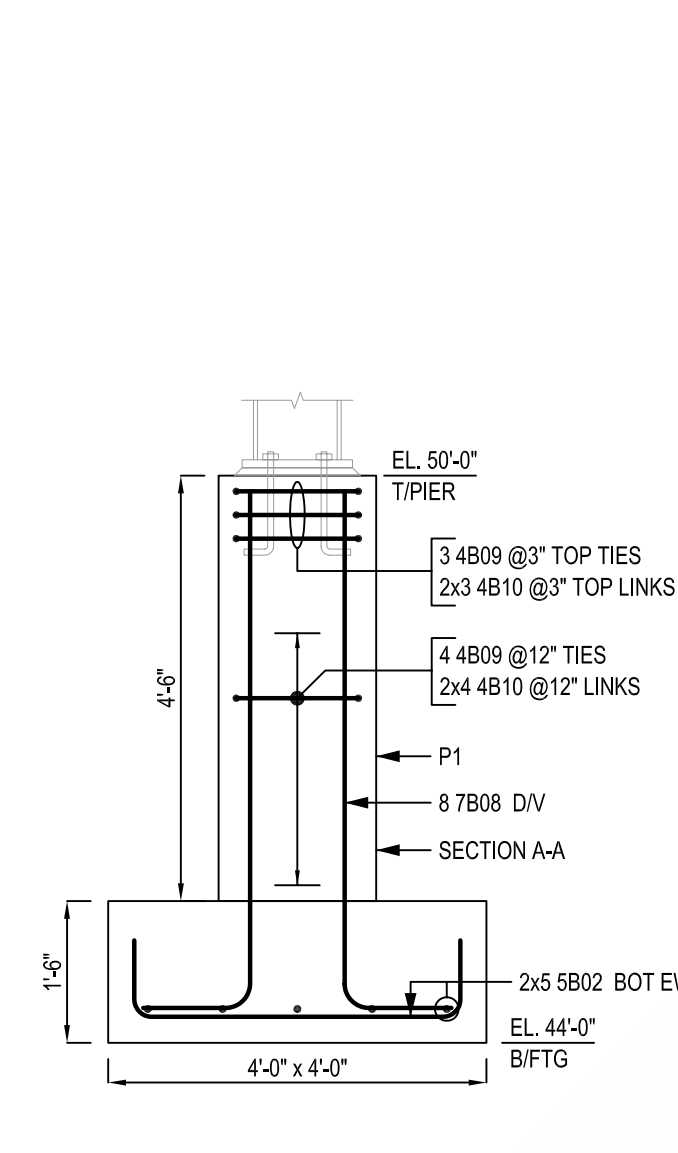
COLUMN FOOTING & PIERS
 SCALE: 1/8"=1'-0"
 SDR: S1-10-N-A & S1-10-S-A



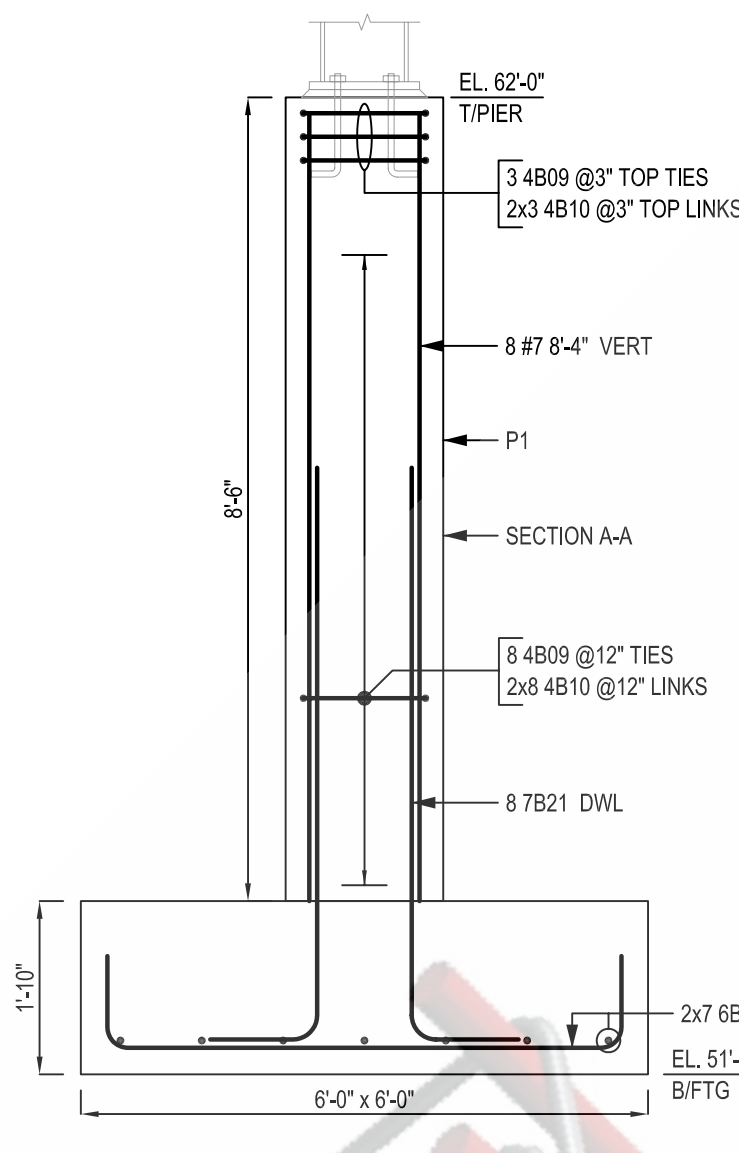
ONCE REBAR SERVICES



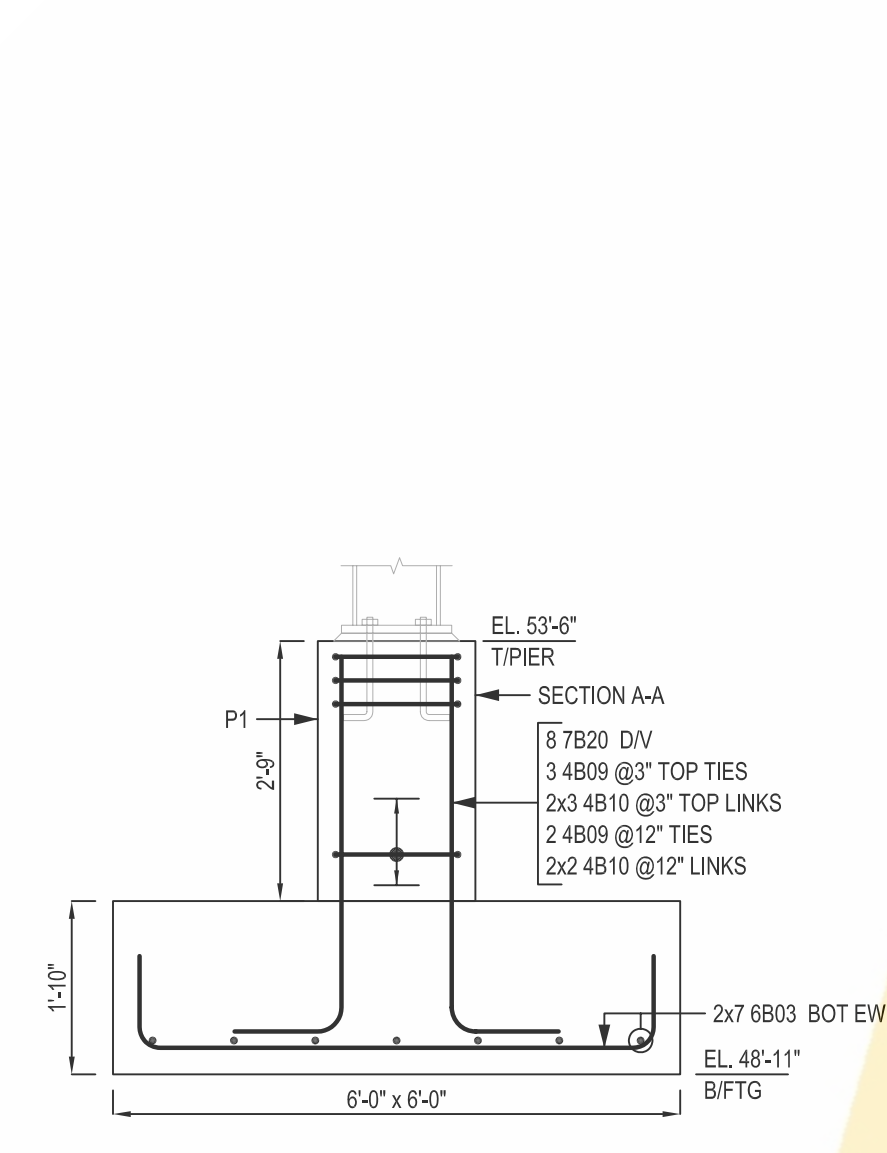
FOOTING - F4
SCALE: 1/2"=1'-0"
SDR: S1-10-S-A
(1 LOC)



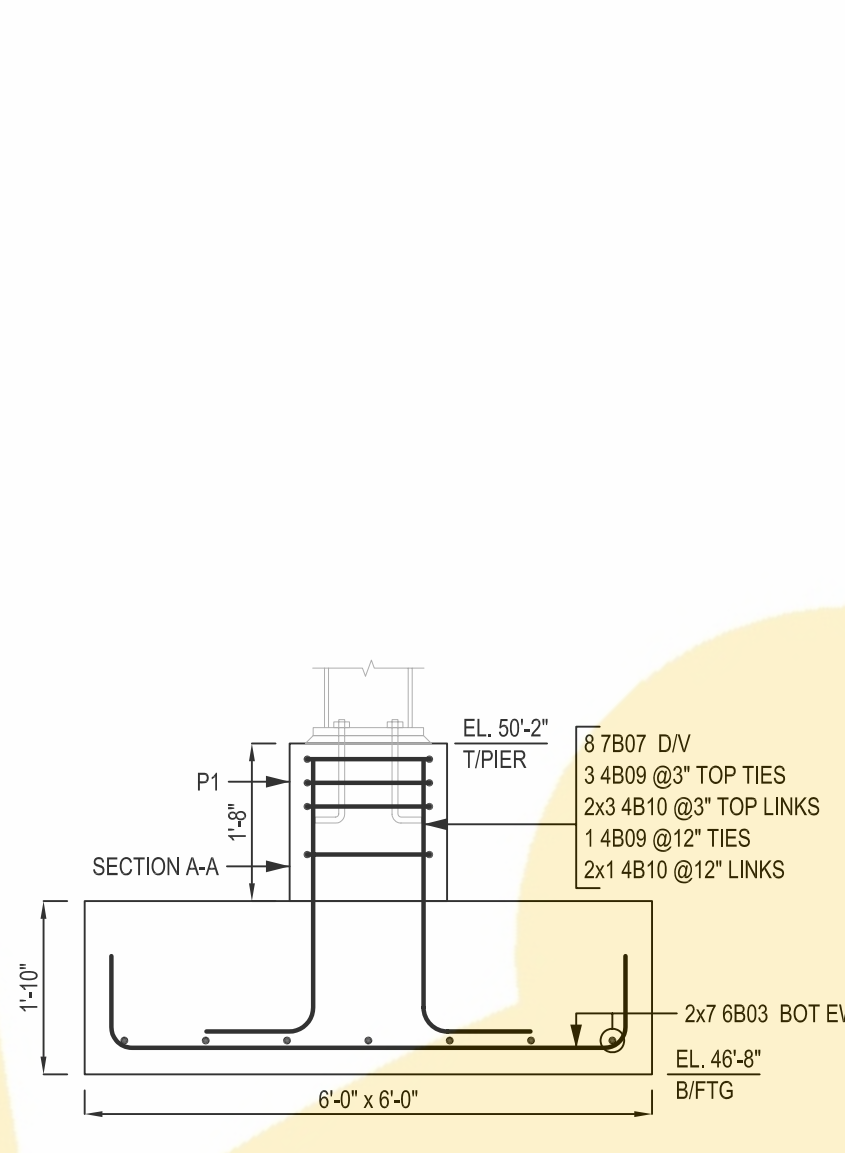
FOOTING - F4a
SCALE: 1/2"=1'-0"
SDR: S1-10-S-A
(1 LOC)



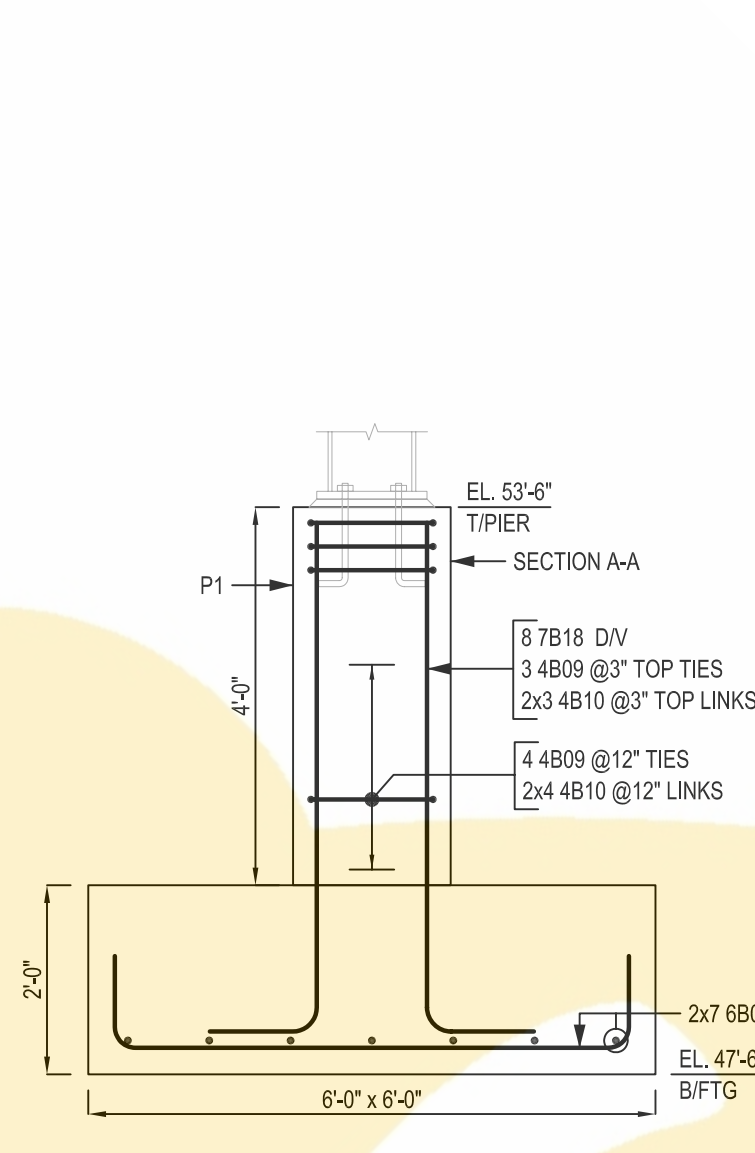
FOOTING - F6
SCALE: 1/2"=1'-0"
SDR: S1-10-S-A
(1 LOC)



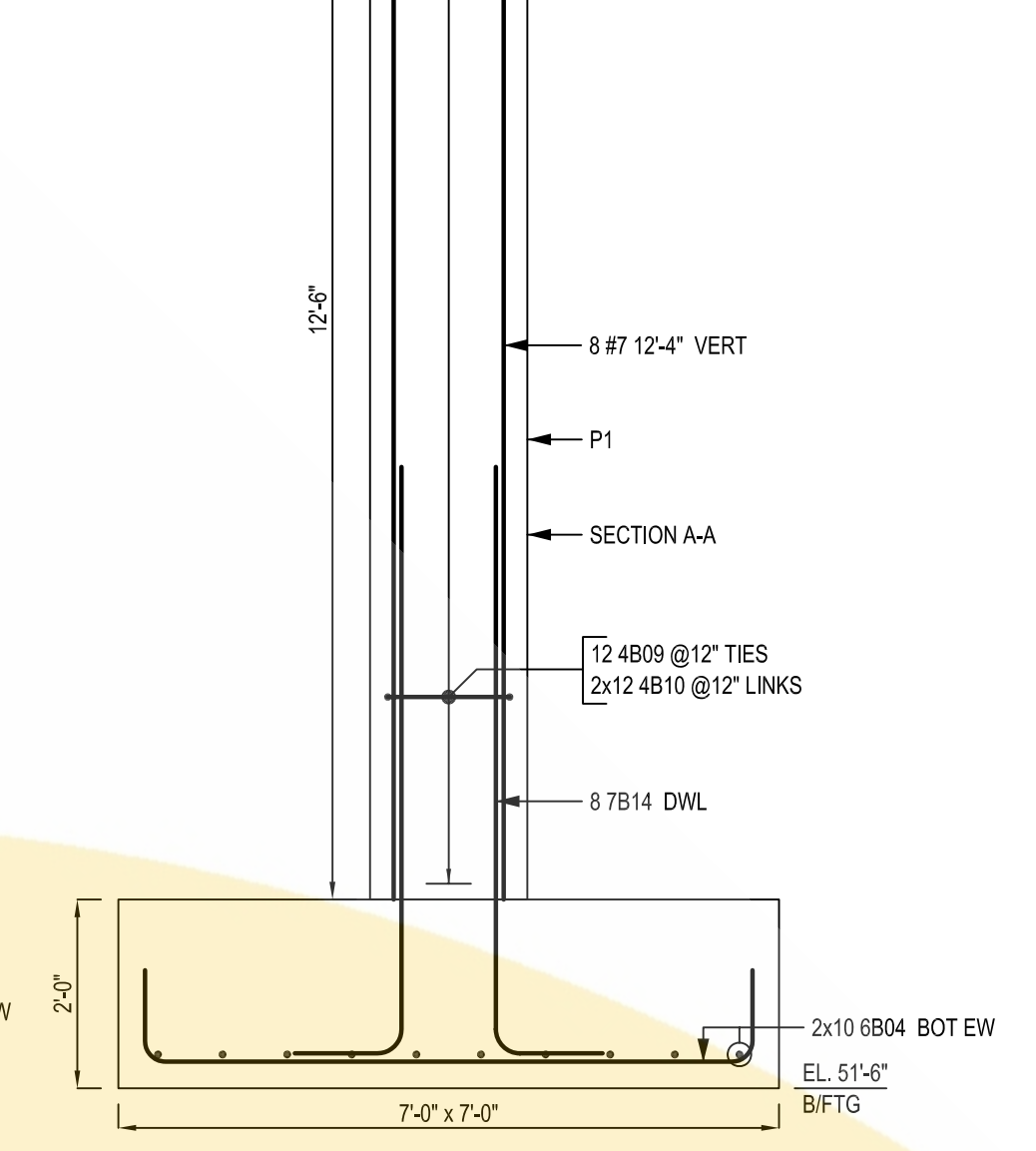
FOOTING - F6a
SCALE: 1/2"=1'-0"
SDR: S1-10-S-A
(1 LOC)



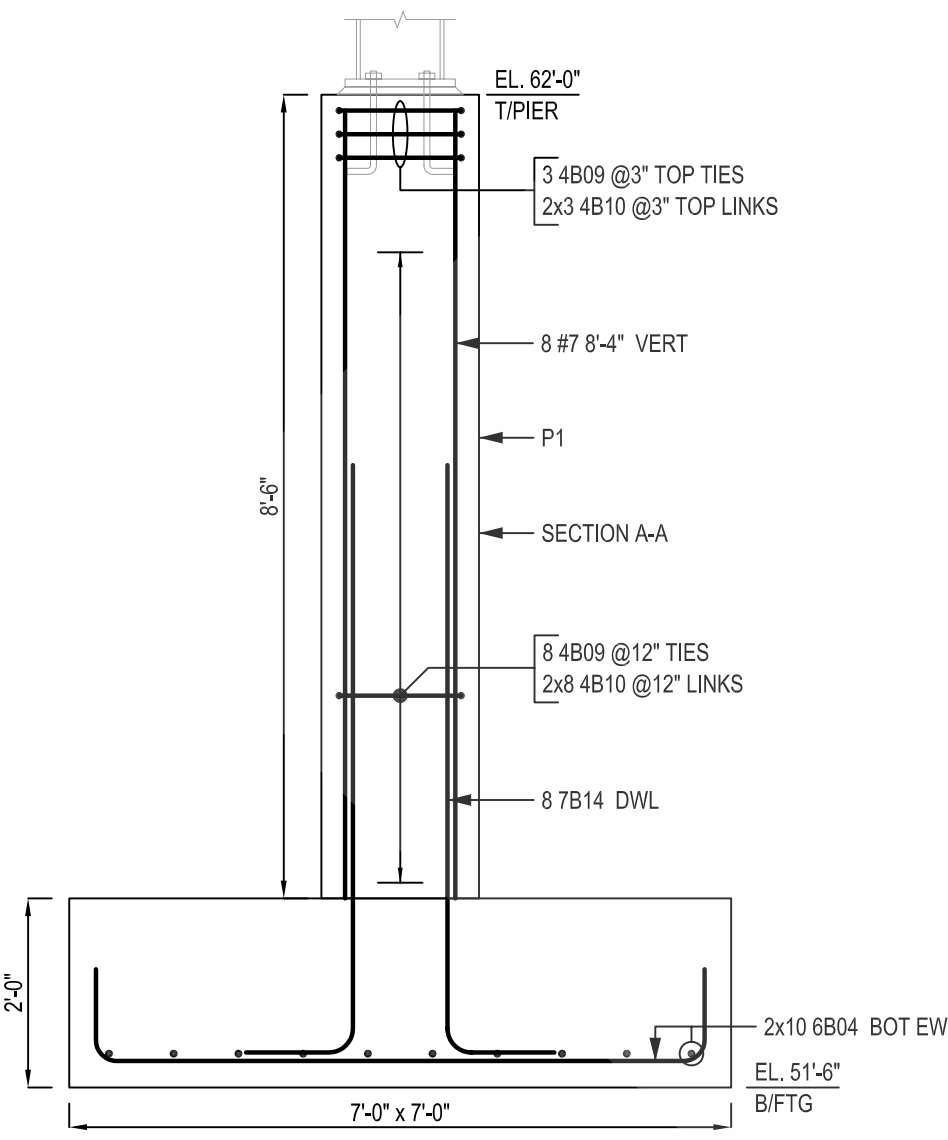
FOOTING - F6b
SCALE: 1/2"=1'-0"
SDR: S1-10-S-A
(1 LOC)



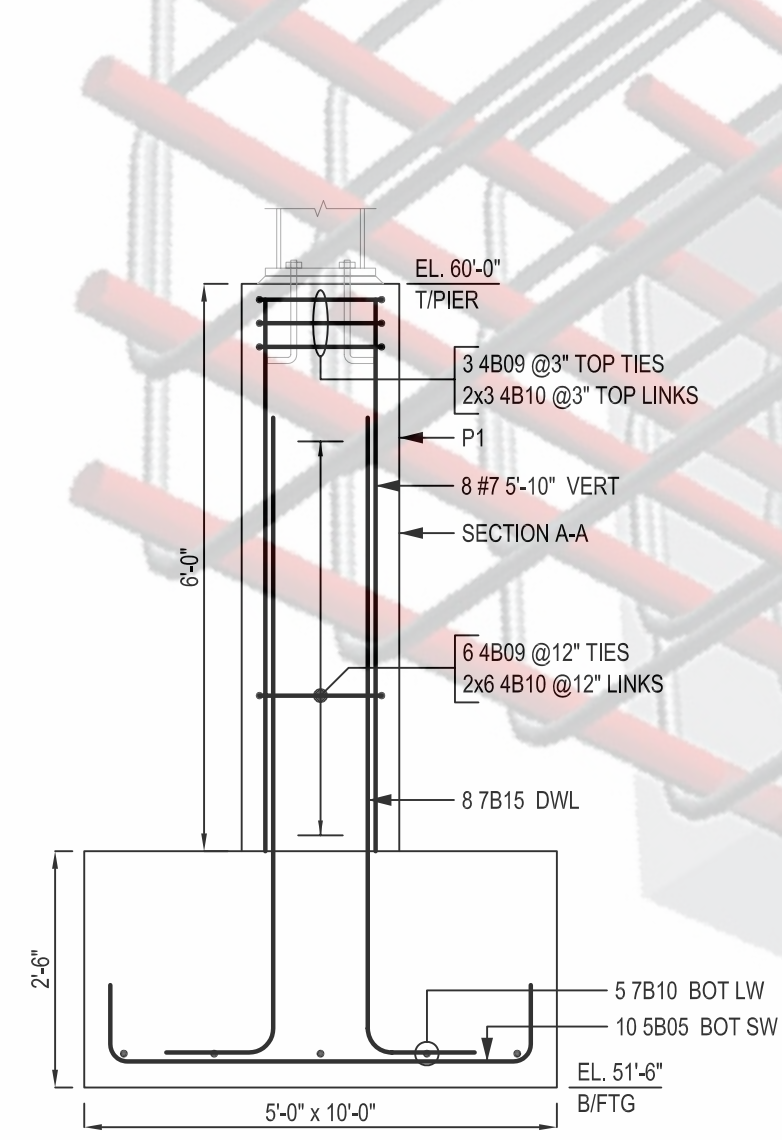
FOOTING - F6A
SCALE: 1/2"=1'-0"
SDR: S1-10-S-A
(1 LOC)



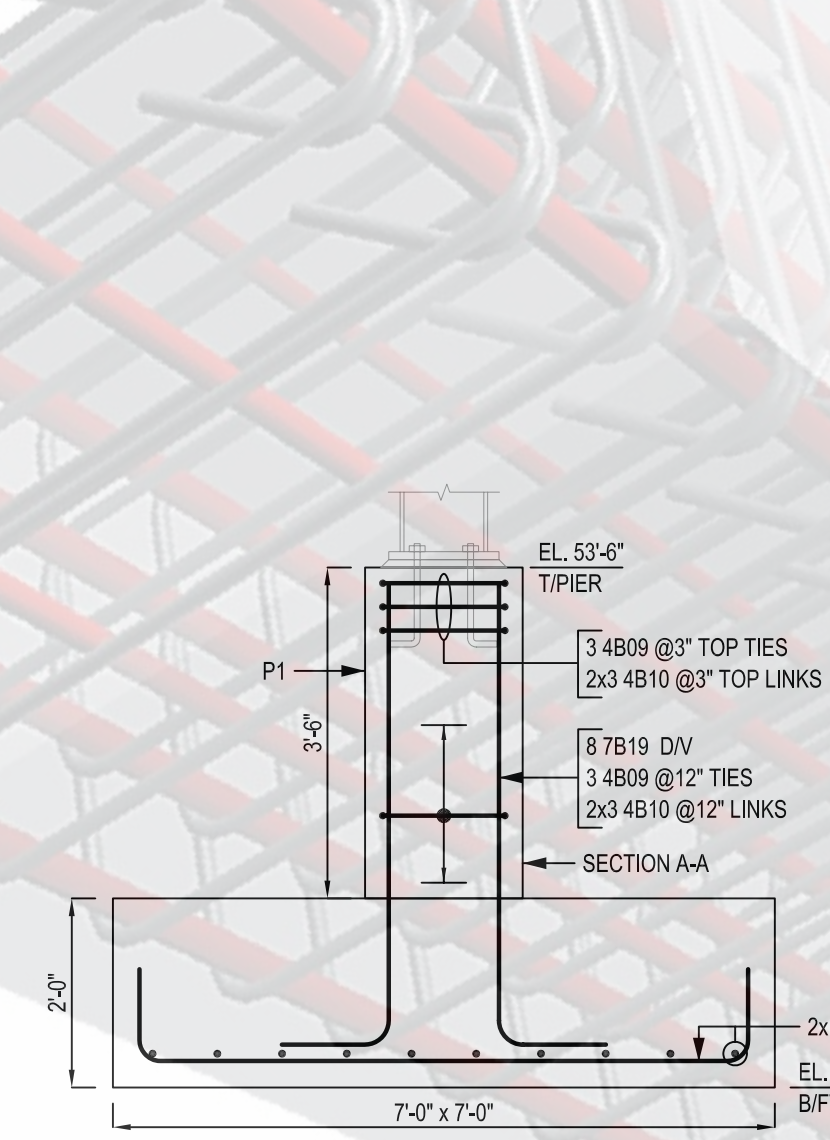
FOOTING - F7
SCALE: 1/2"=1'-0"
SDR: S1-10-S-A
(1 LOC)



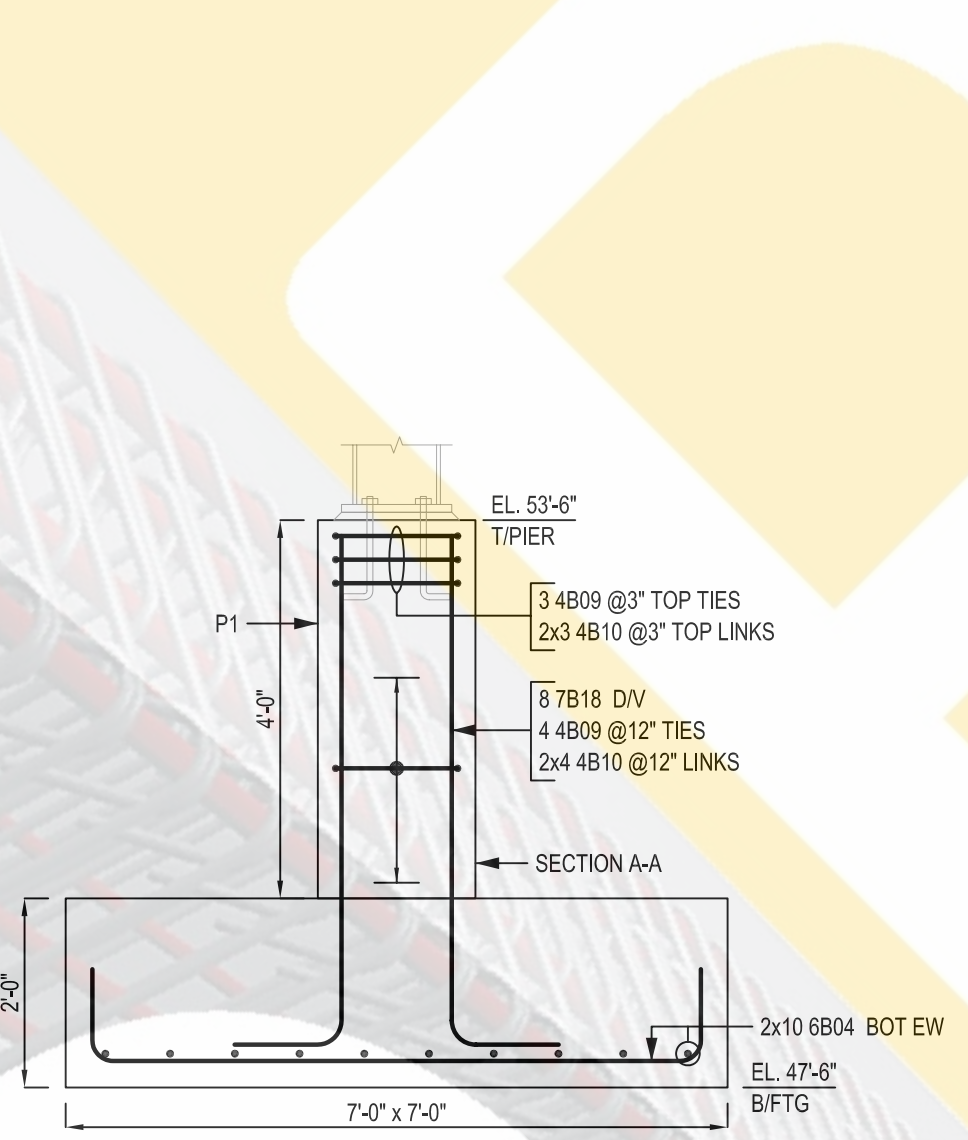
FOOTING - F7a
SCALE: 1/2"=1'-0"
SDR: S1-10-S-A
(1 LOC)



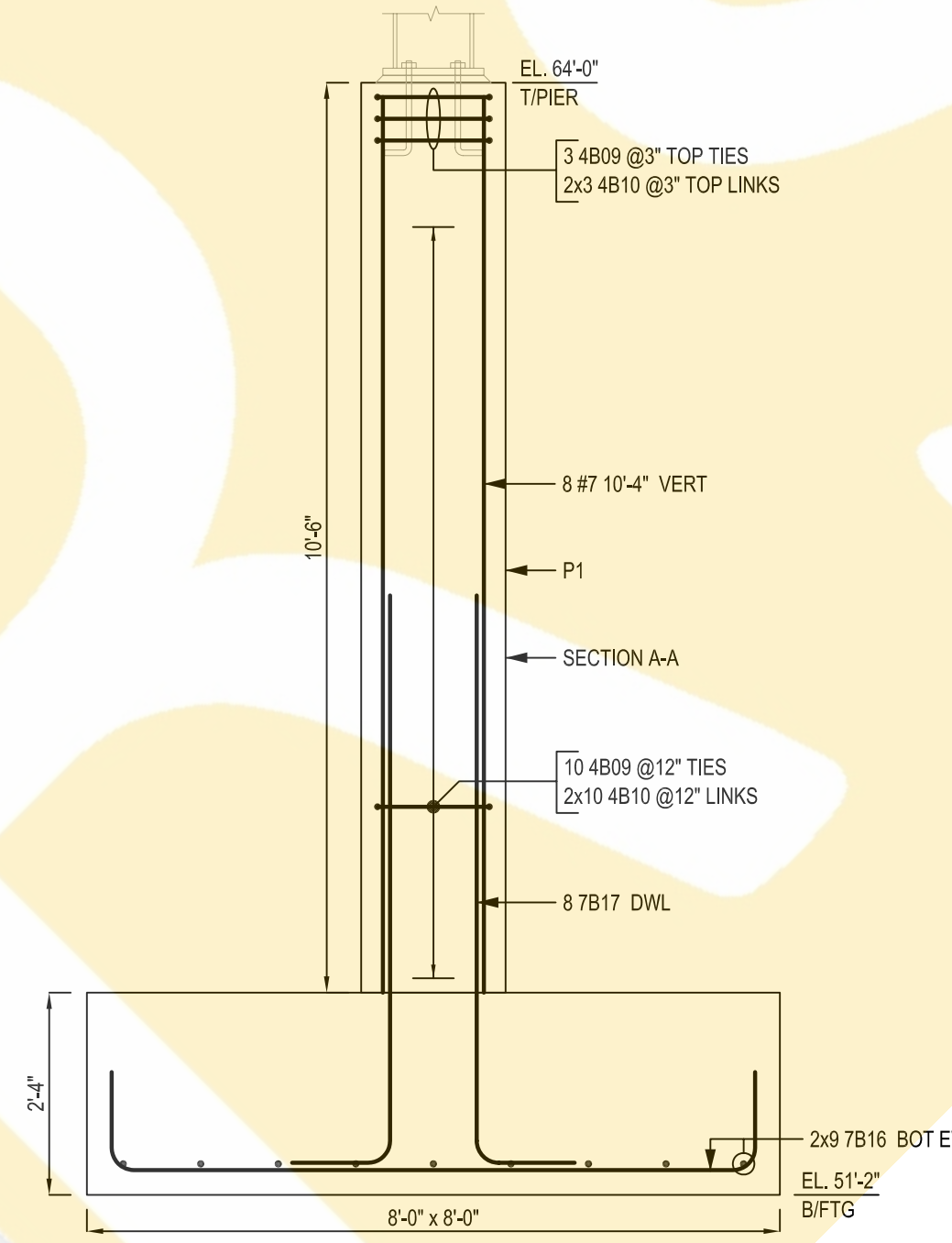
FOOTING - F510
SCALE: 1/2"=1'-0"
SDR: S1-10-S-A
(1 LOC)



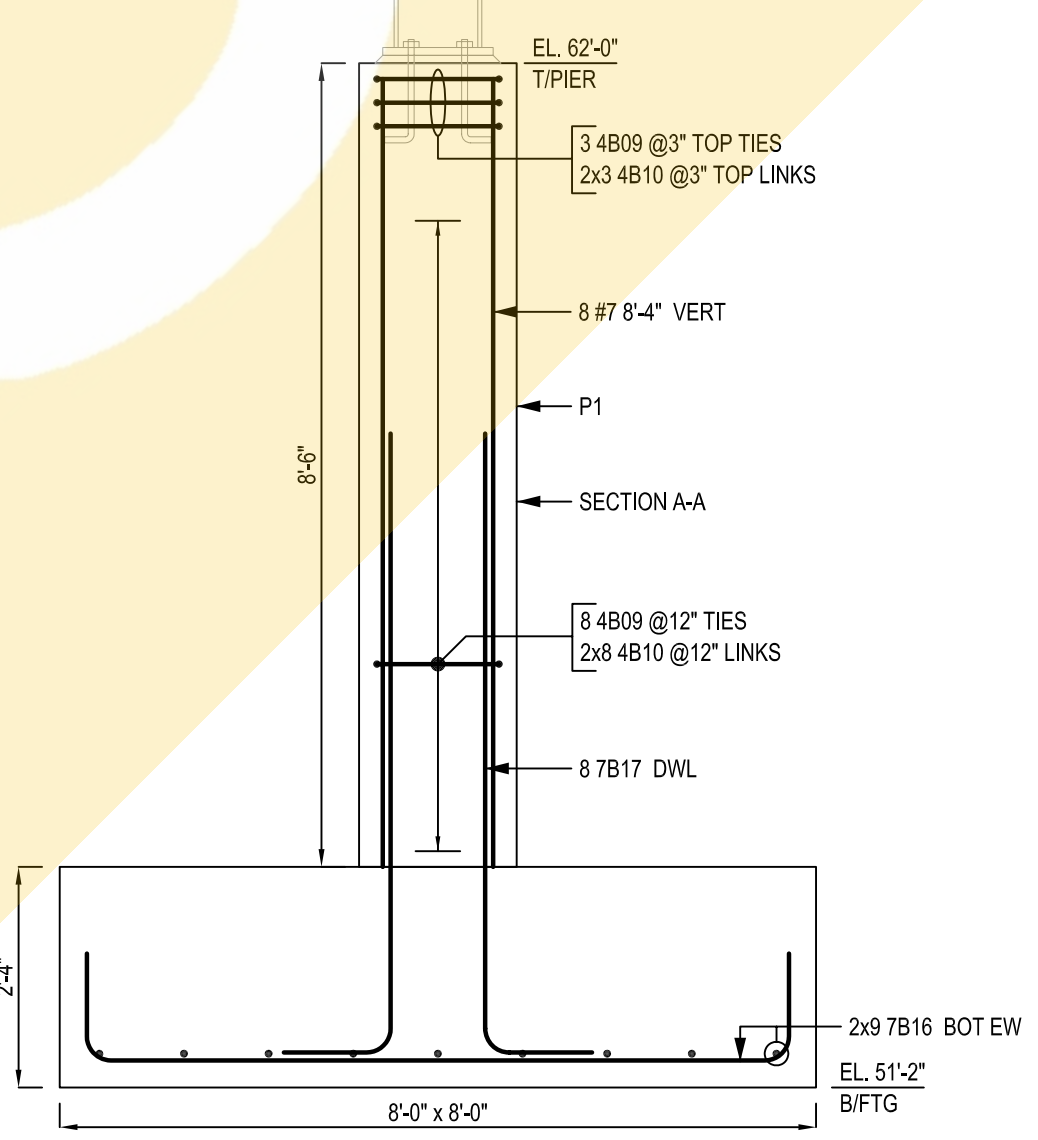
FOOTING - F7c
SCALE: 1/2"=1'-0"
SDR: S1-10-S-A
(1 LOC)



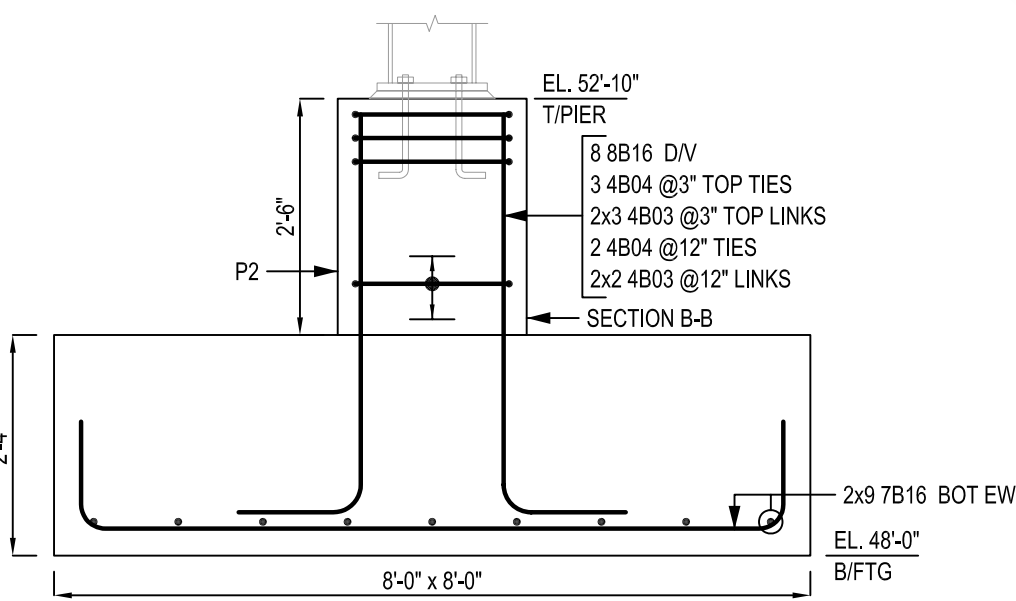
FOOTING - F7d
SCALE: 1/2"=1'-0"
SDR: S1-10-S-A
(1 LOC)



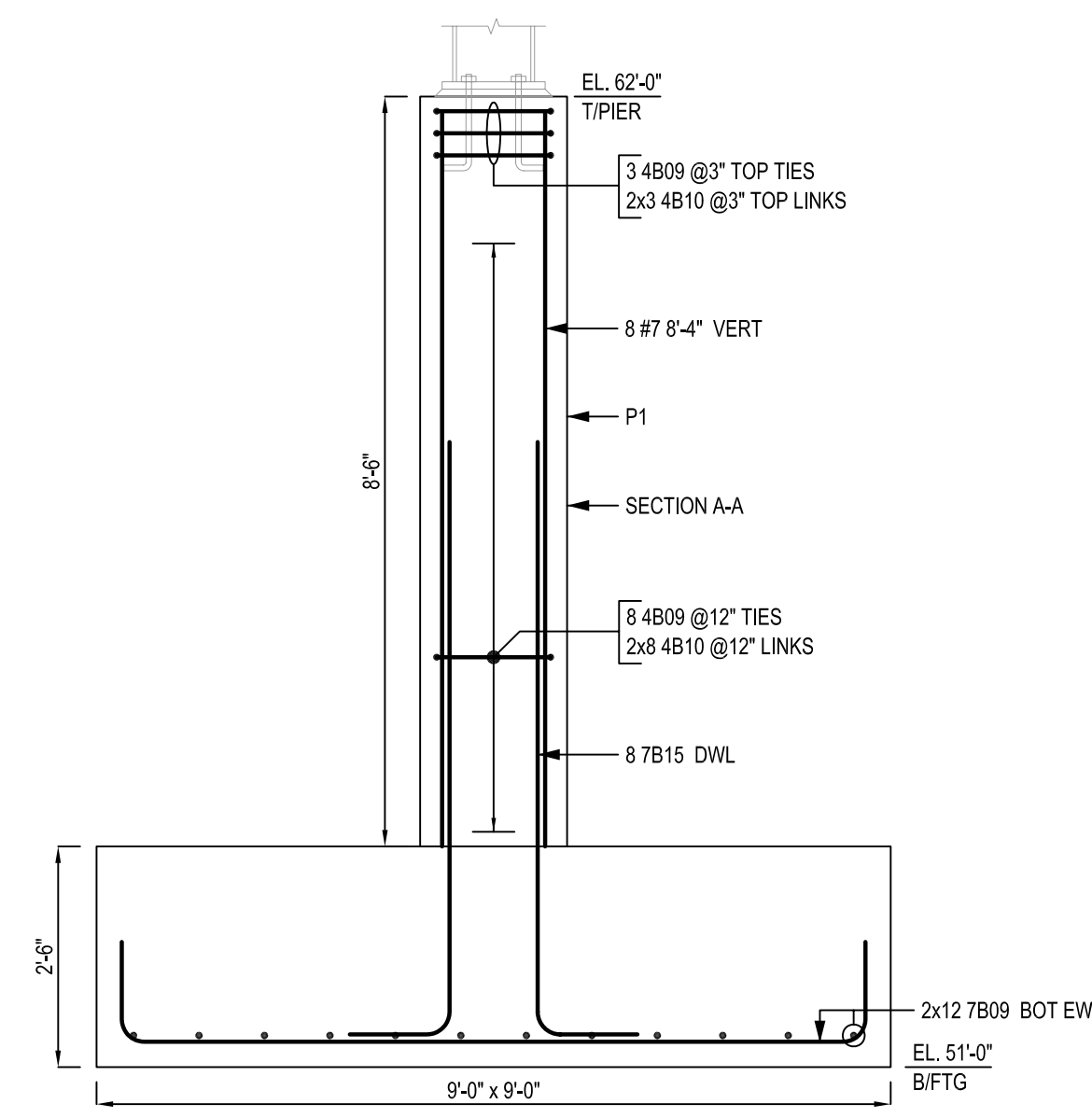
FOOTING - F8
SCALE: 1/2"=1'-0"
SDR: S1-10-S-A
(1 LOC)



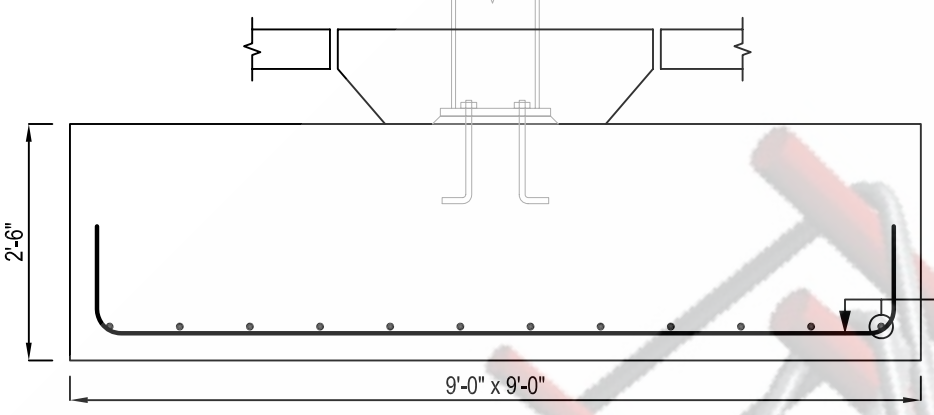
FOOTING - F8a
SCALE: 1/2"=1'-0"
SDR: S1-10-S-A
(1 LOC)



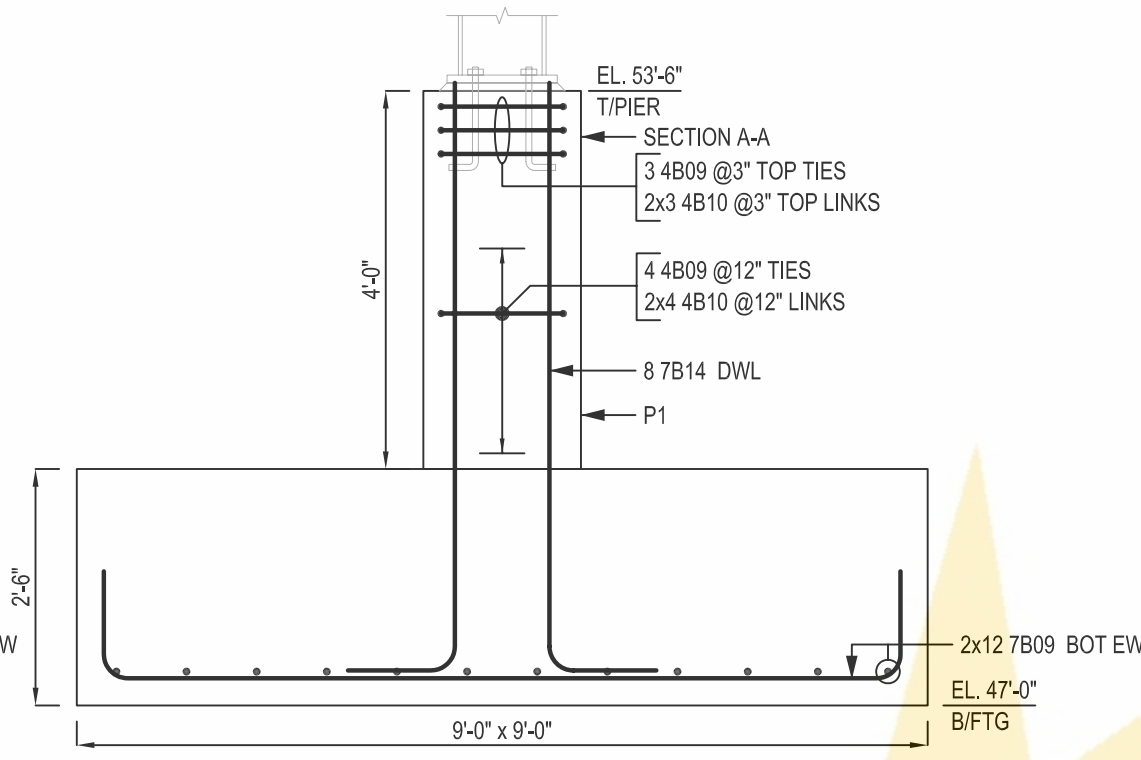
FOOTING - F8b
SCALE: 1/2"=1'-0"
SDR: S1-10-S-A
(1 LOC)



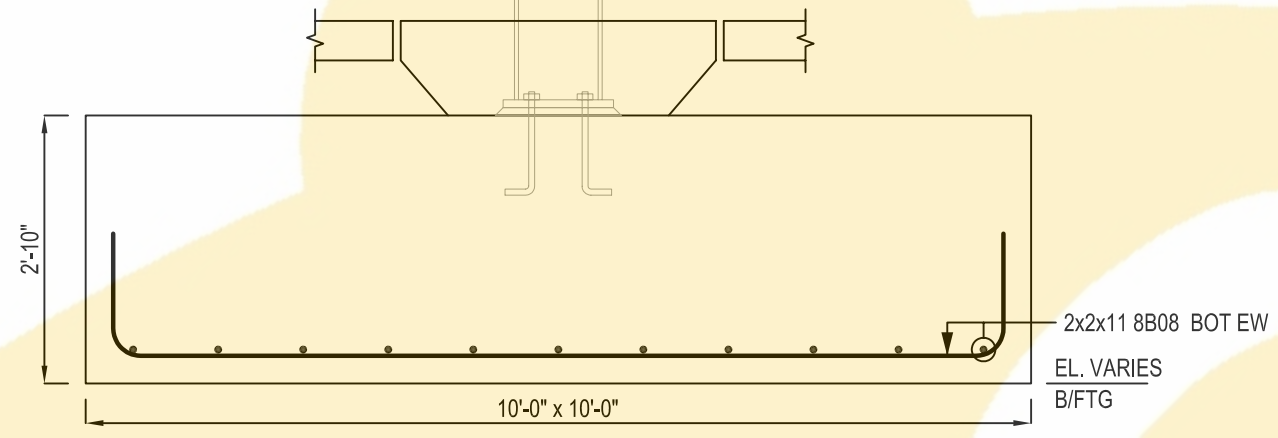
FOOTING - F9
SCALE: 1/2"=1'-0"
SDR: S1-10-S-A
(1 LOC)



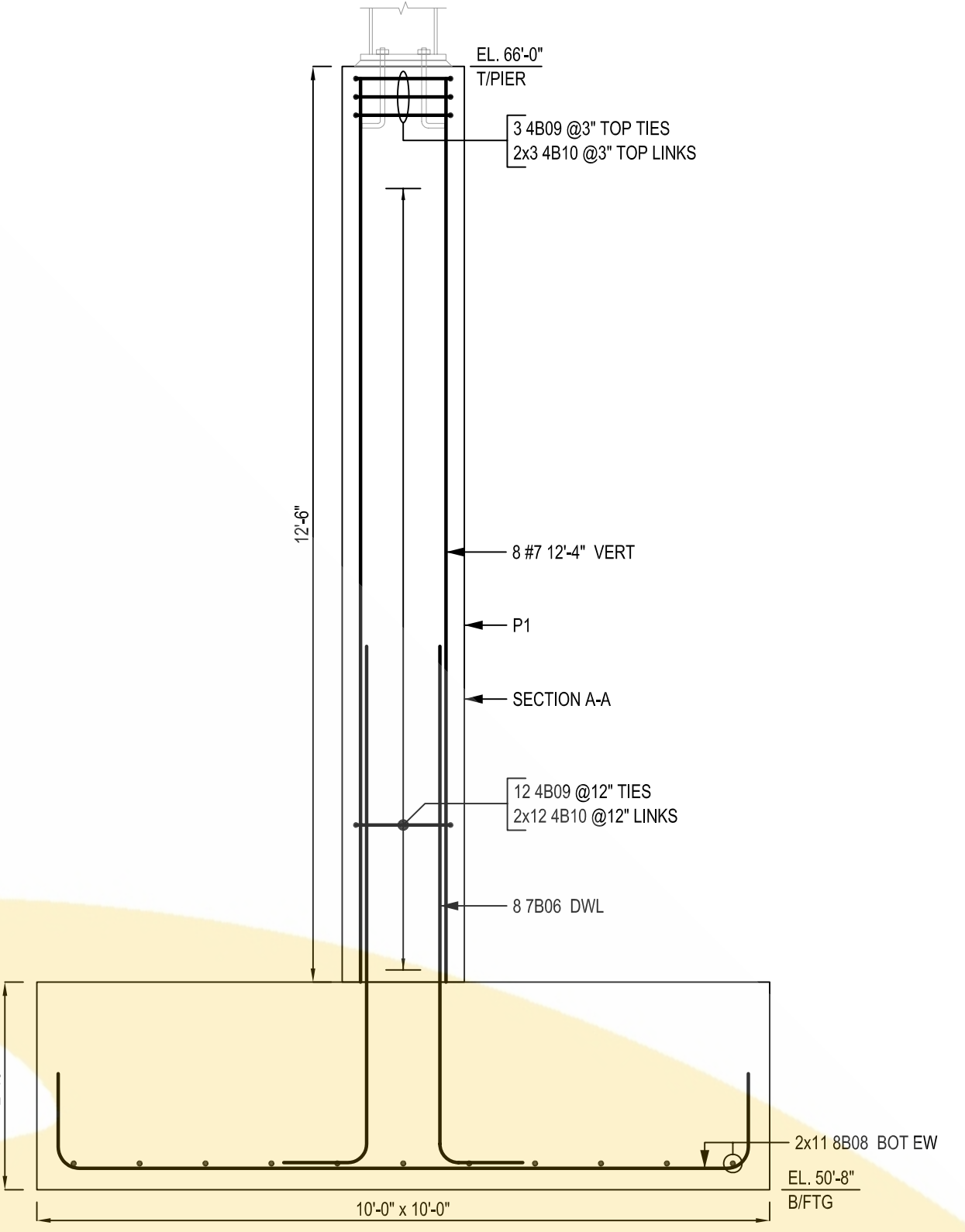
FOOTING - F9a
SCALE: 1/2"=1'-0"
SDR: S1-10-S-A
(2 LOC)



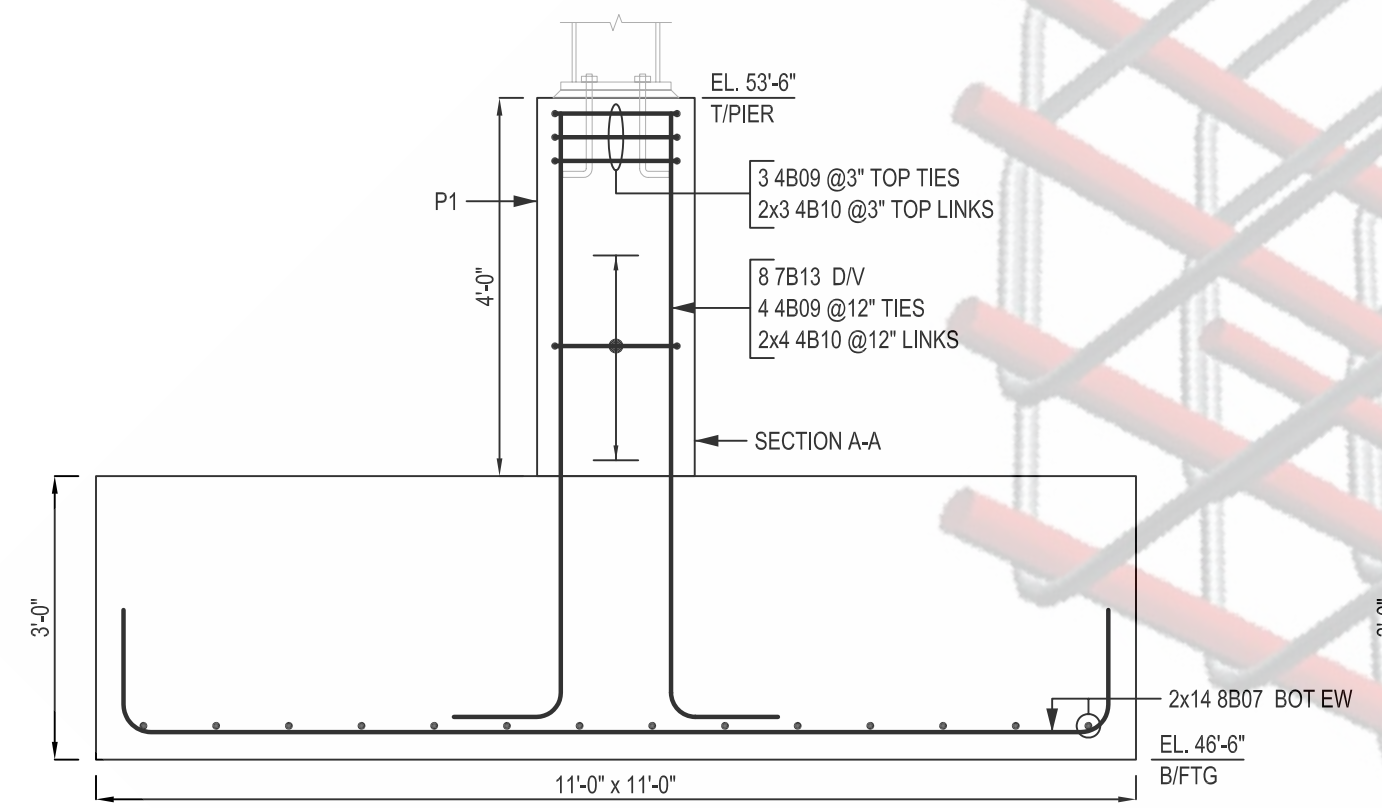
FOOTING - F9b
SCALE: 1/2"=1'-0"
SDR: S1-10-S-A
(1 LOC)



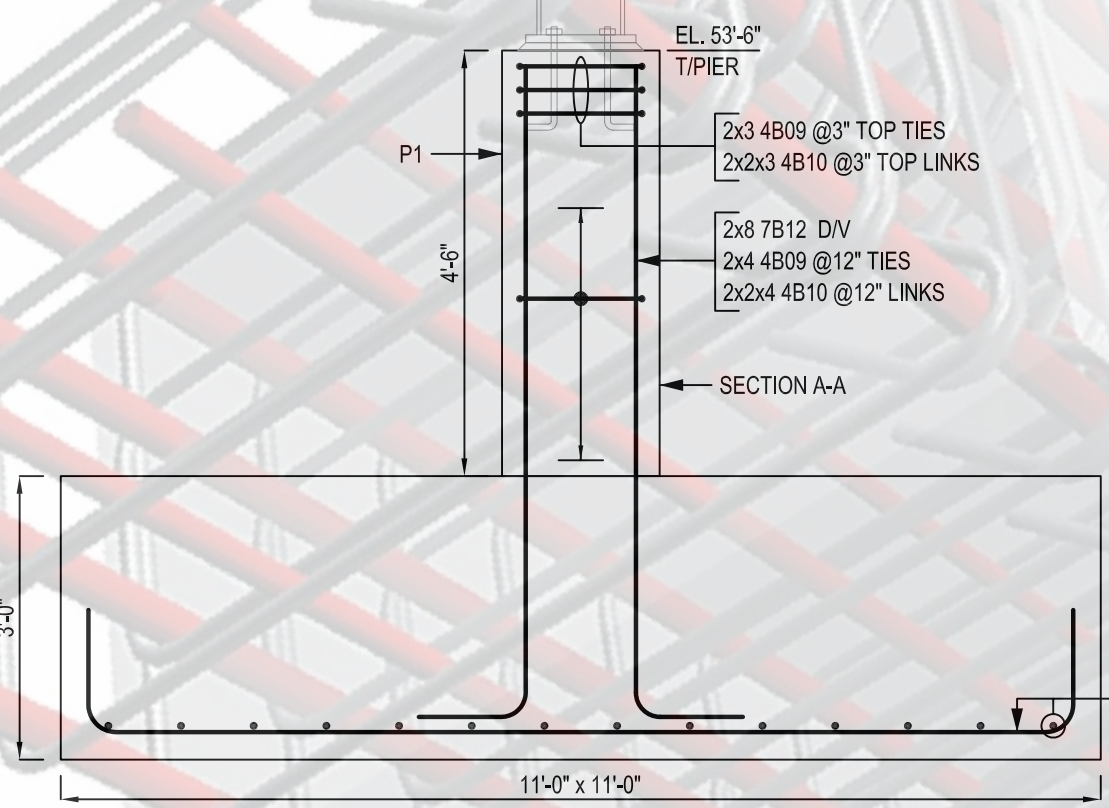
FOOTING - F10
SCALE: 1/2"=1'-0"
SDR: S1-10-S-A
(2 LOC)



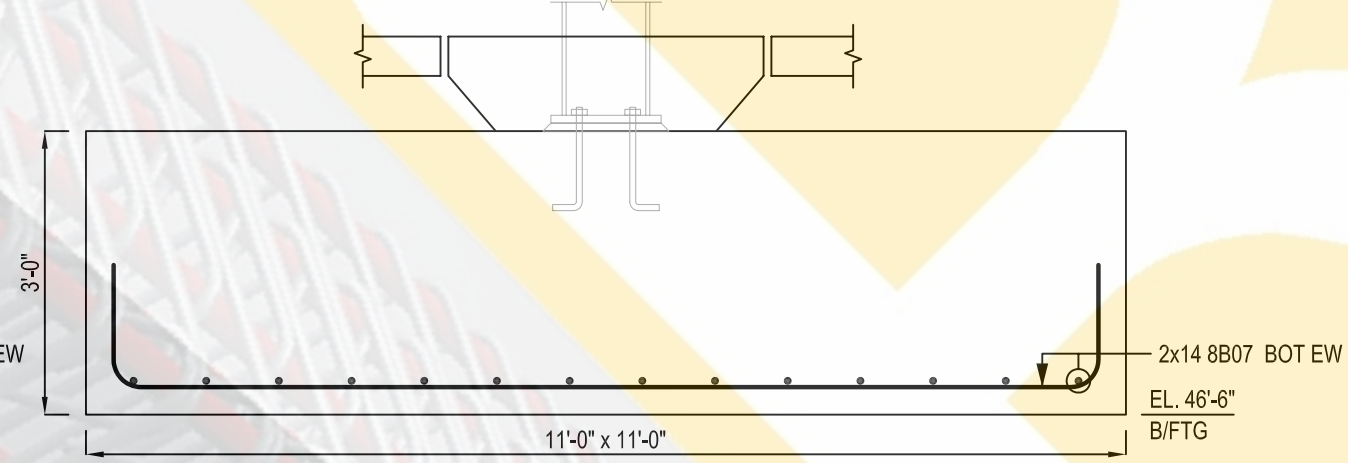
FOOTING - F10a
SCALE: 1/2"=1'-0"
SDR: S1-10-S-A
(1 LOC)



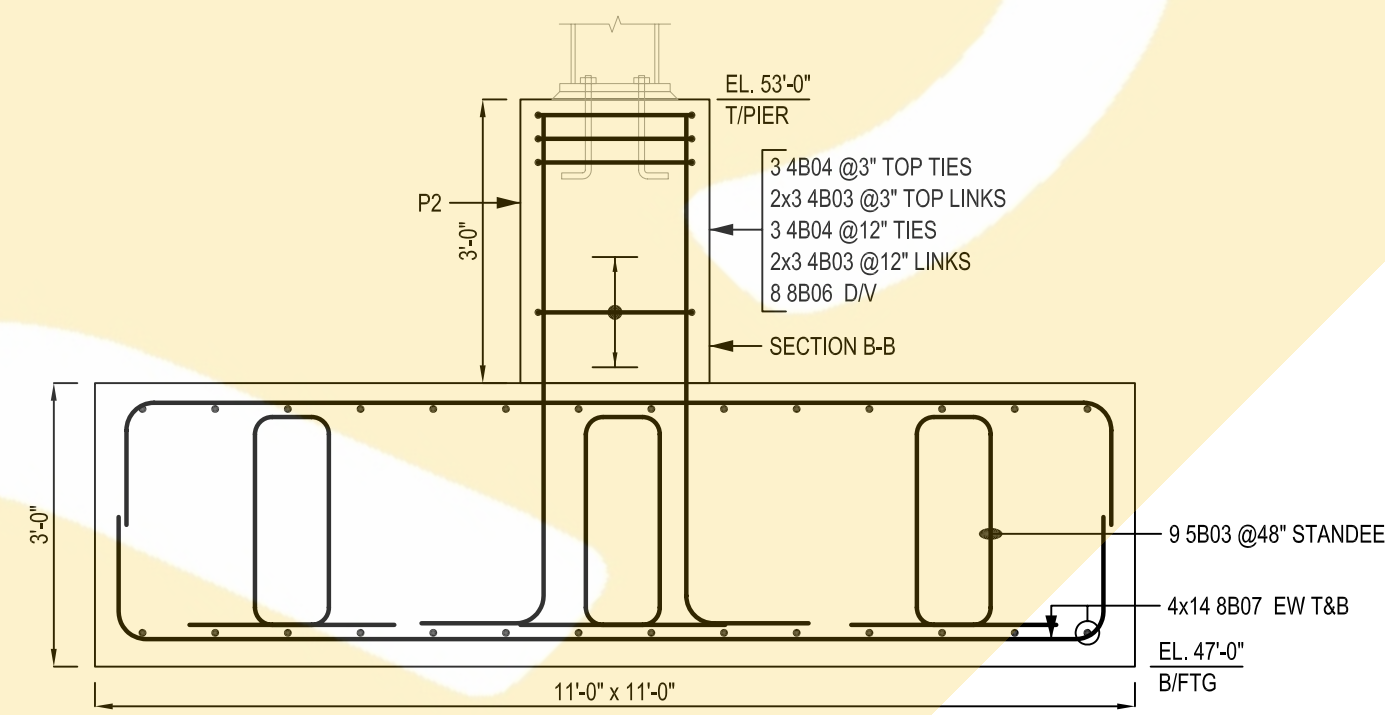
FOOTING - F11
SCALE: 1/2"=1'-0"
SDR: S1-10-S-A
(1 LOC)



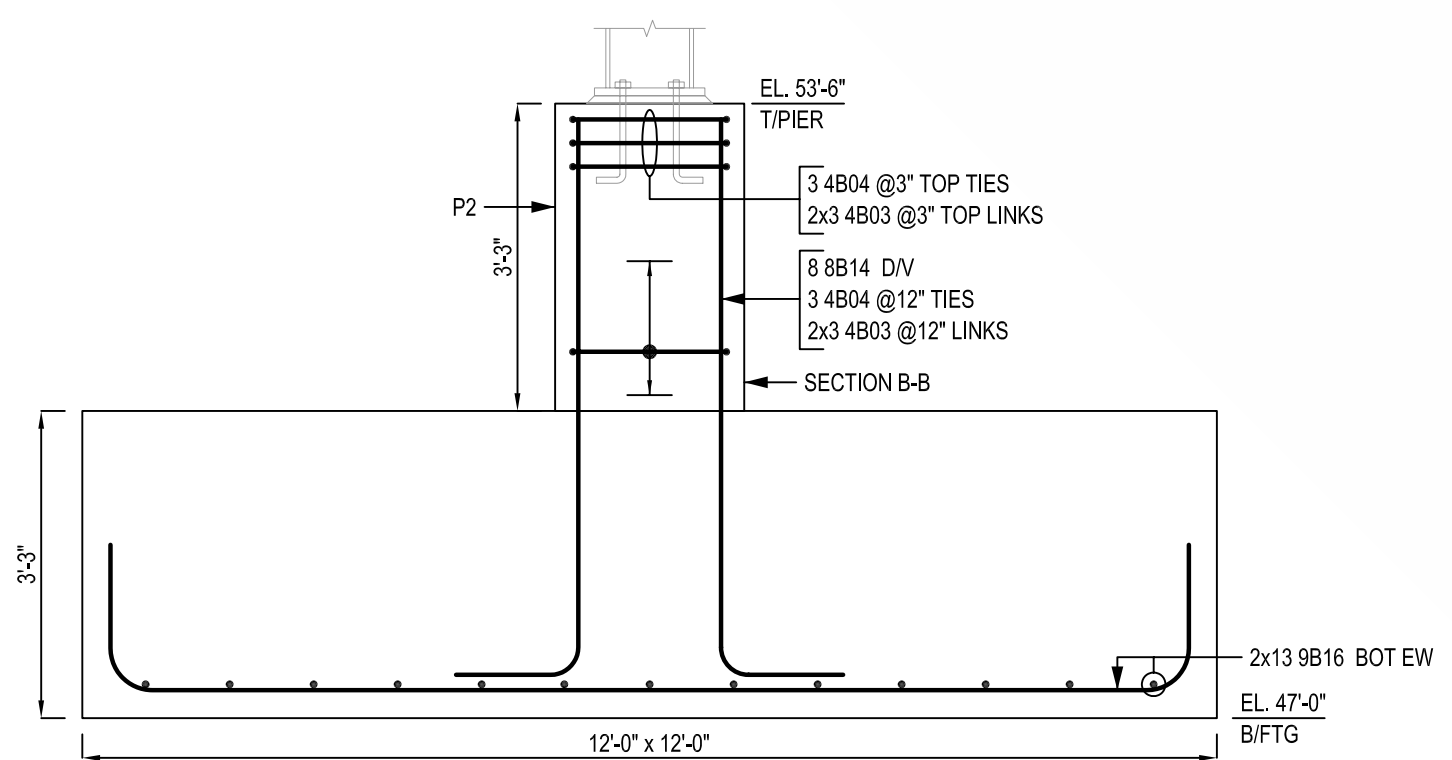
FOOTING - F11a
SCALE: 1/2"=1'-0"
SDR: S1-10-S-A
(2 LOC)



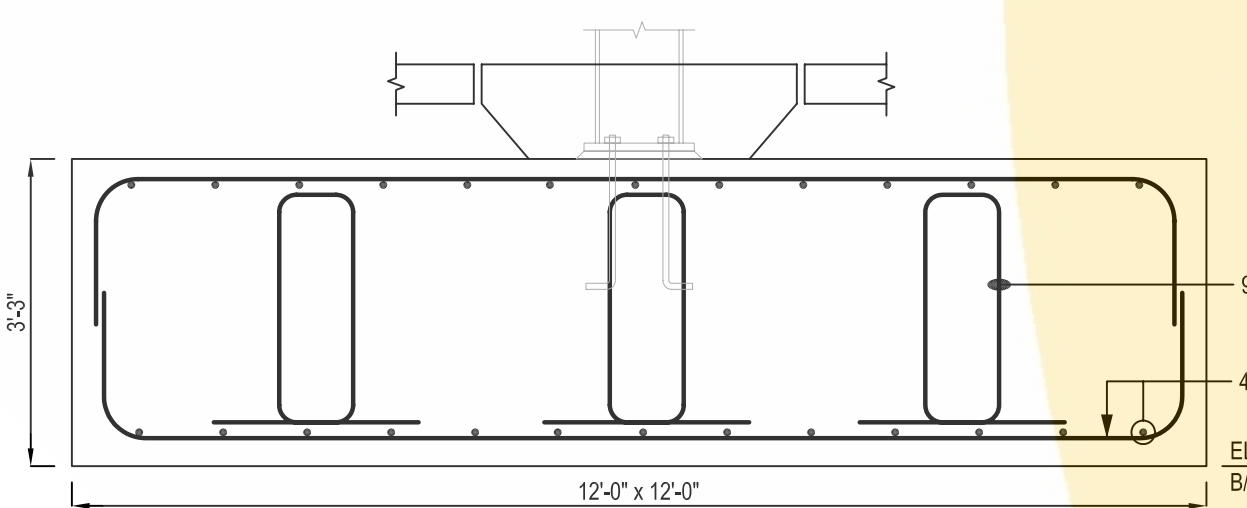
FOOTING - F11b
SCALE: 1/2"=1'-0"
SDR: S1-10-S-A
(1 LOC)



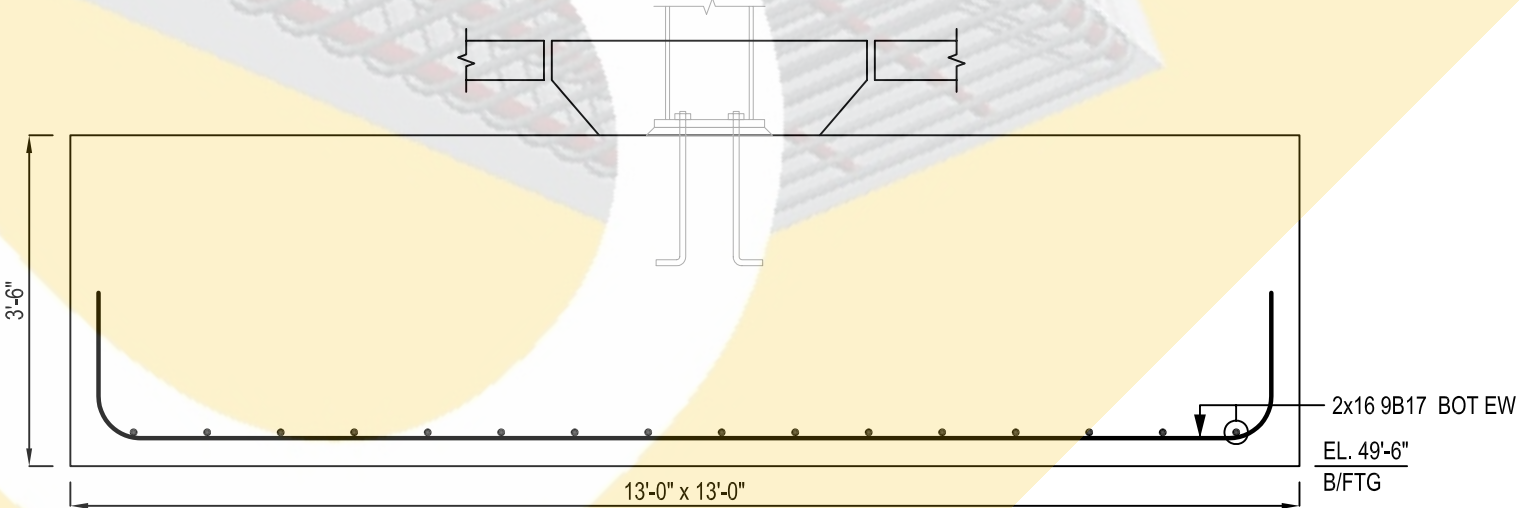
FOOTING - F11T
SCALE: 1/2"=1'-0"
SDR: S1-10-S-A
(1 LOC)



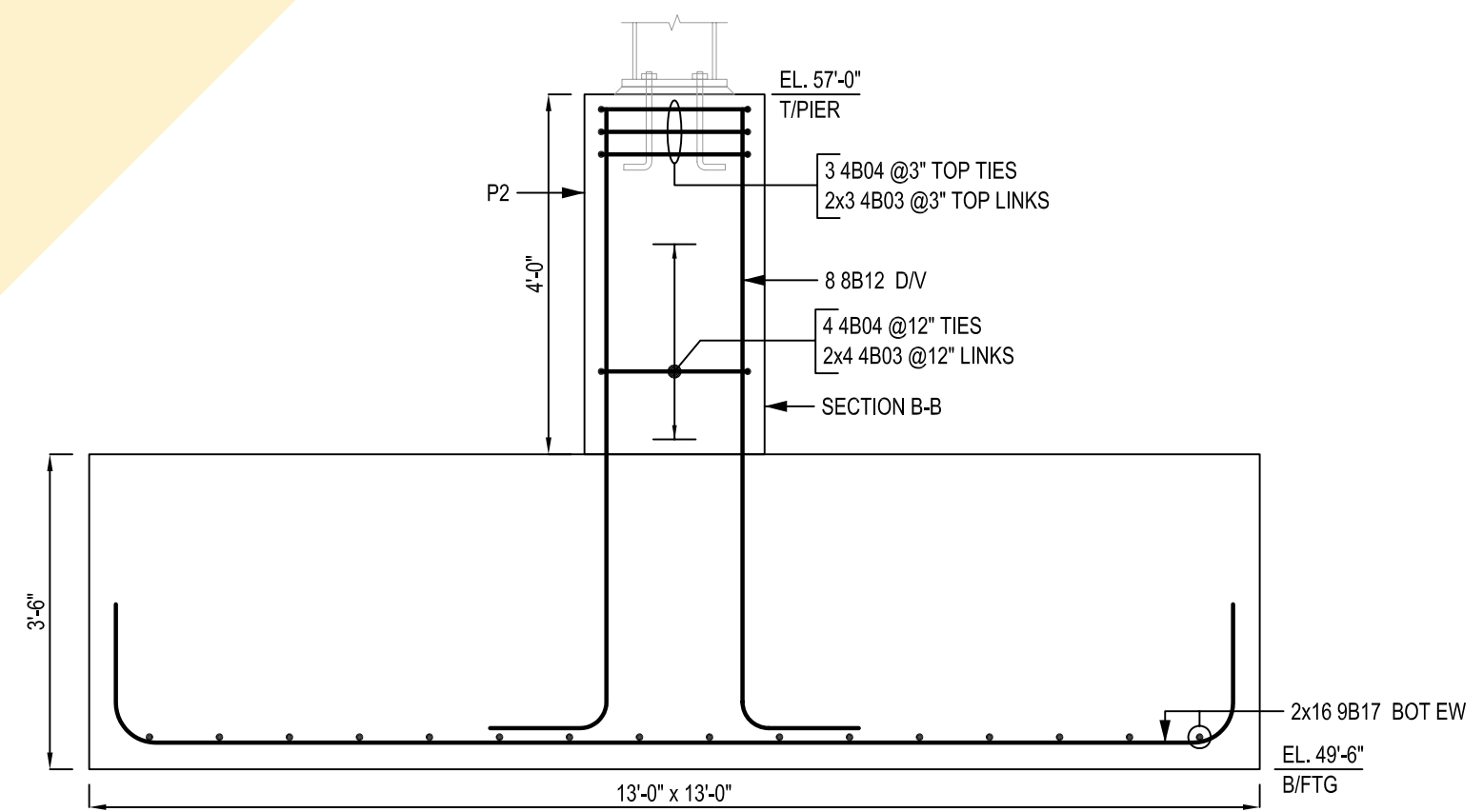
FOOTING - F12
SCALE: 1/2"=1'-0"
SDR: S1-10-S-A
(1 LOC)



FOOTING - F12T
SCALE: 1/2"=1'-0"
SDR: S1-10-S-A
(1 LOC)

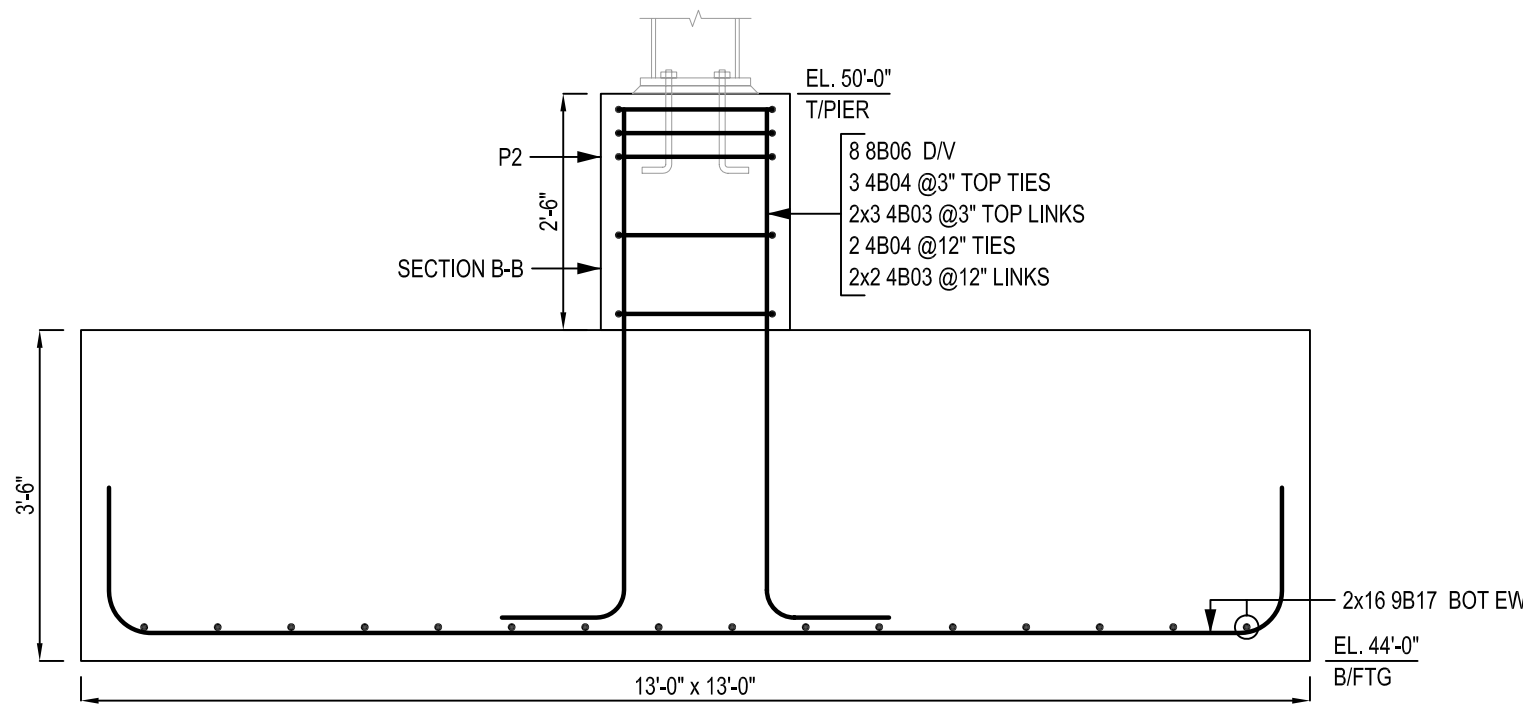


FOOTING - F13
SCALE: 1/2"=1'-0"
SDR: S1-10-S-A
(1 LOC)

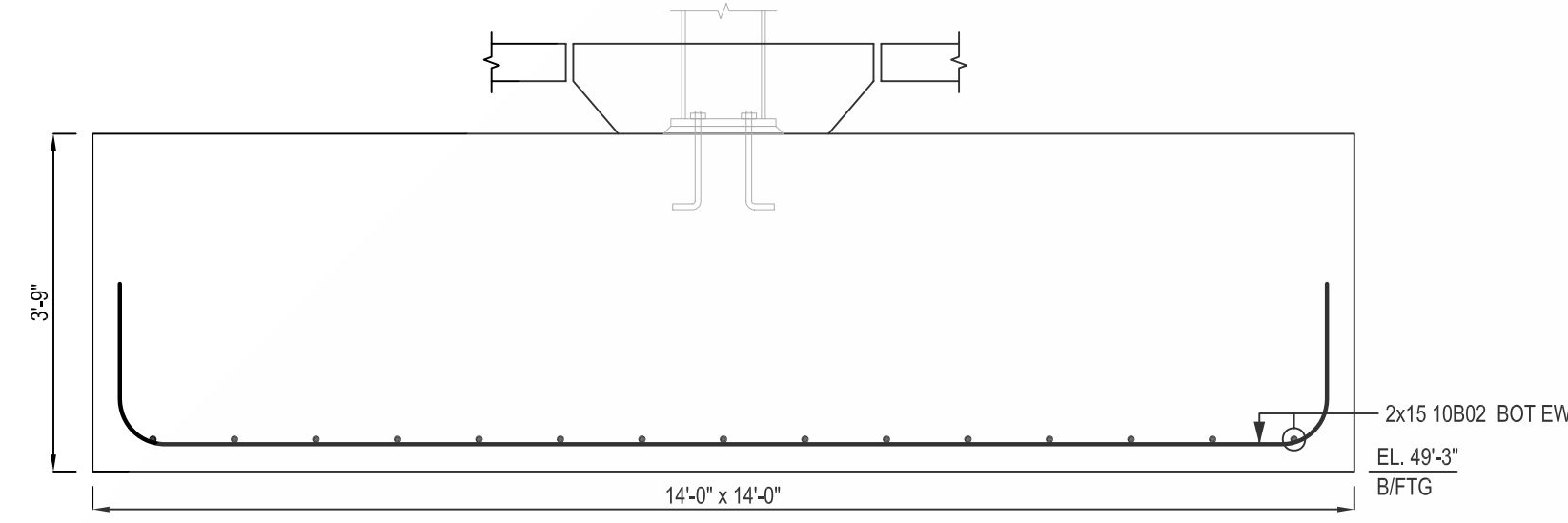


FOOTING - F13a
SCALE: 1/2"=1'-0"
SDR: S1-10-S-A
(1 LOC)

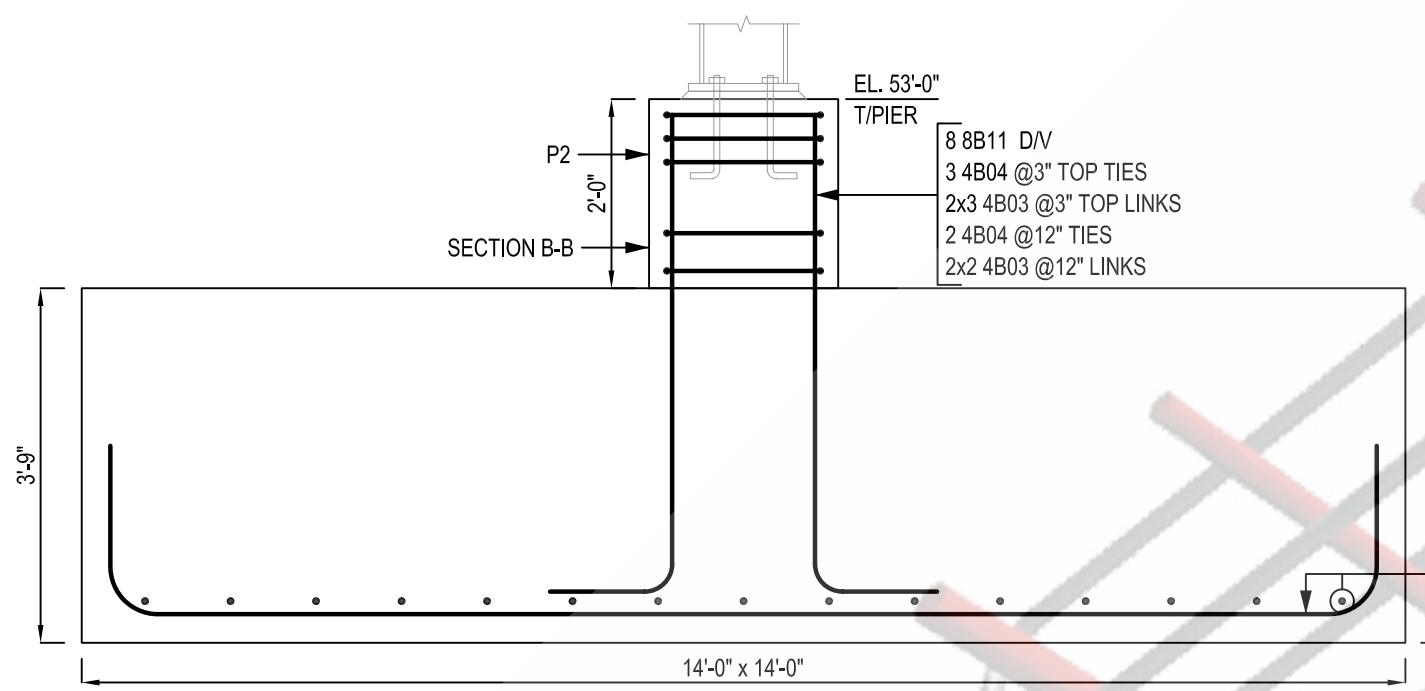
ONCE REBAR SERVICES



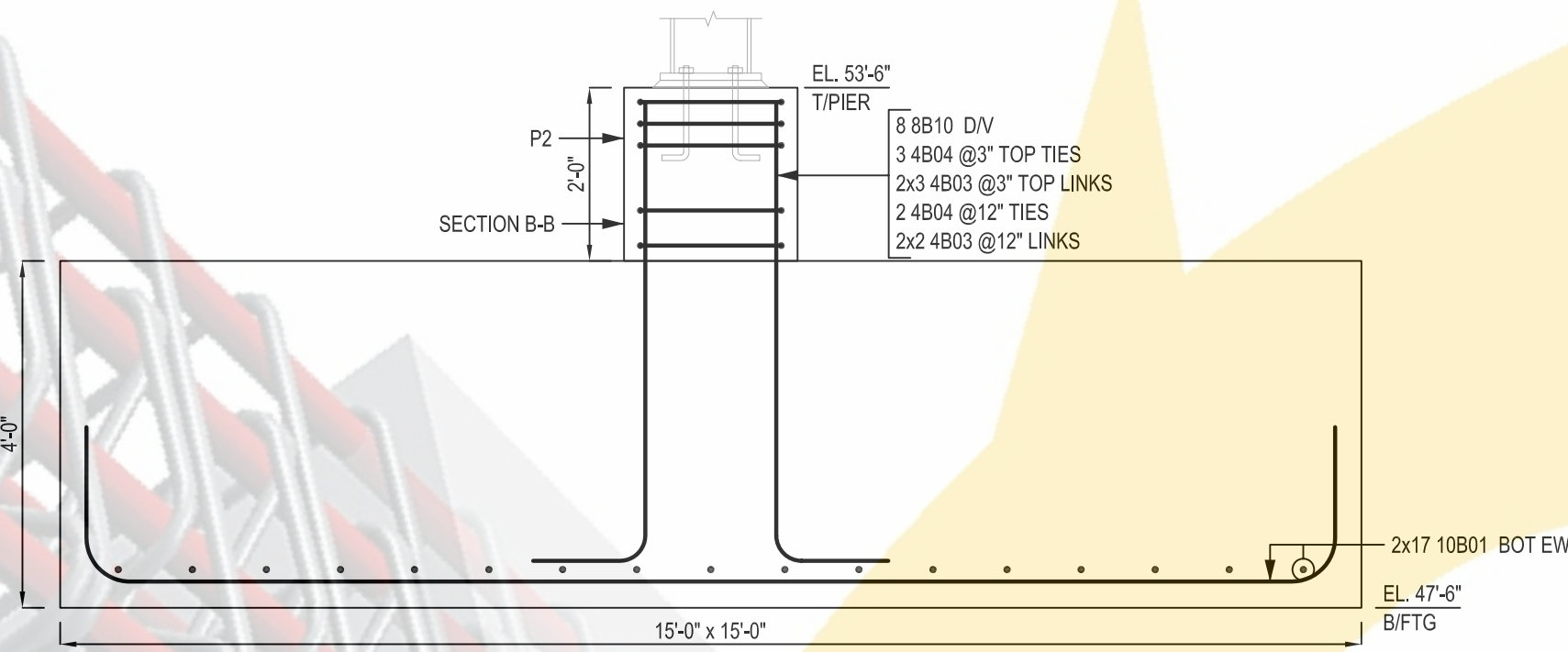
FOOTING - F13b
 SCALE: 1/2"=1'-0"
 SDR: S1-10-S-A
 (1 LOC)



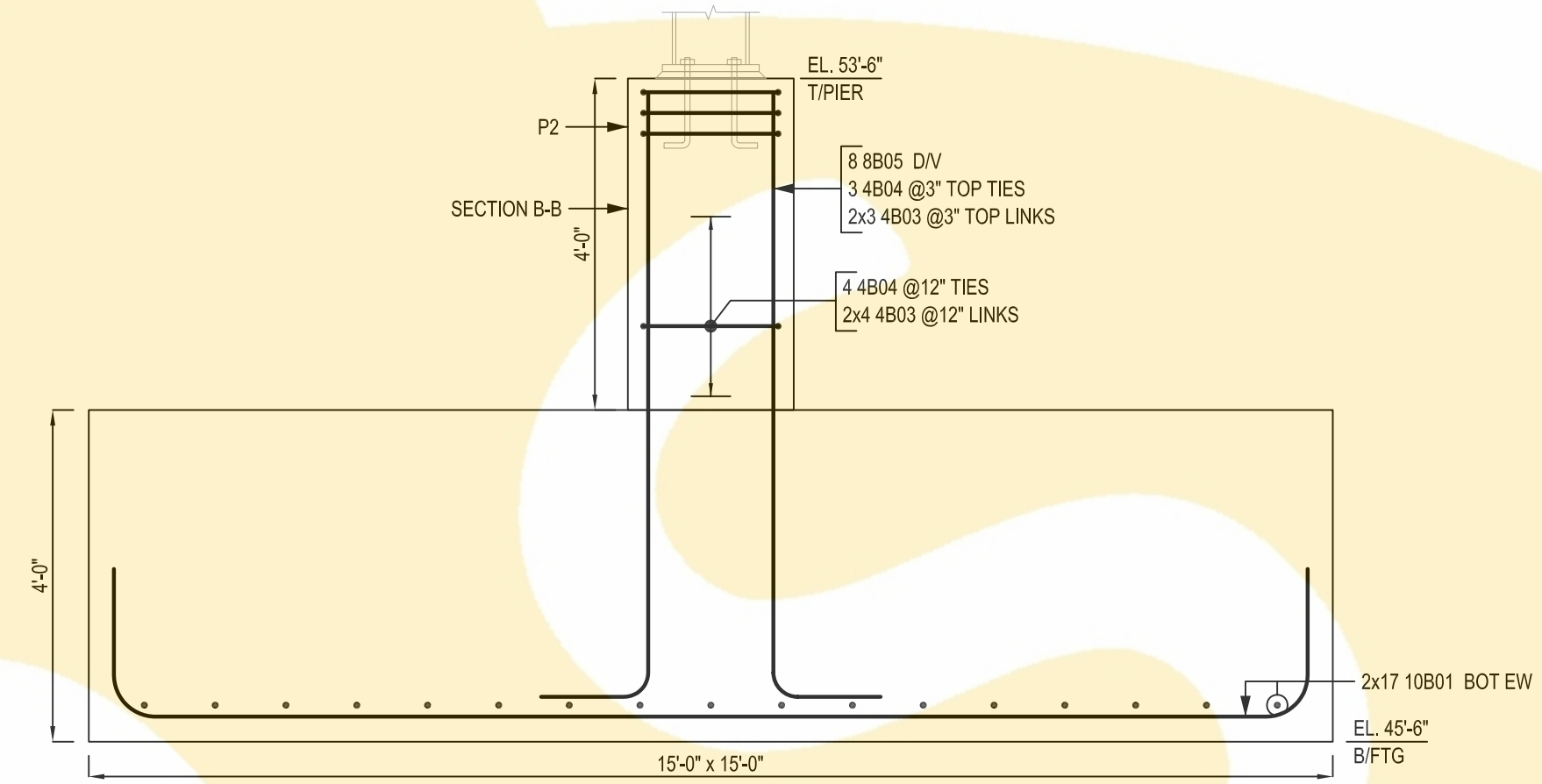
FOOTING - F14
 SCALE: 1/2"=1'-0"
 SDR: S1-10-S-A
 (1 LOC)



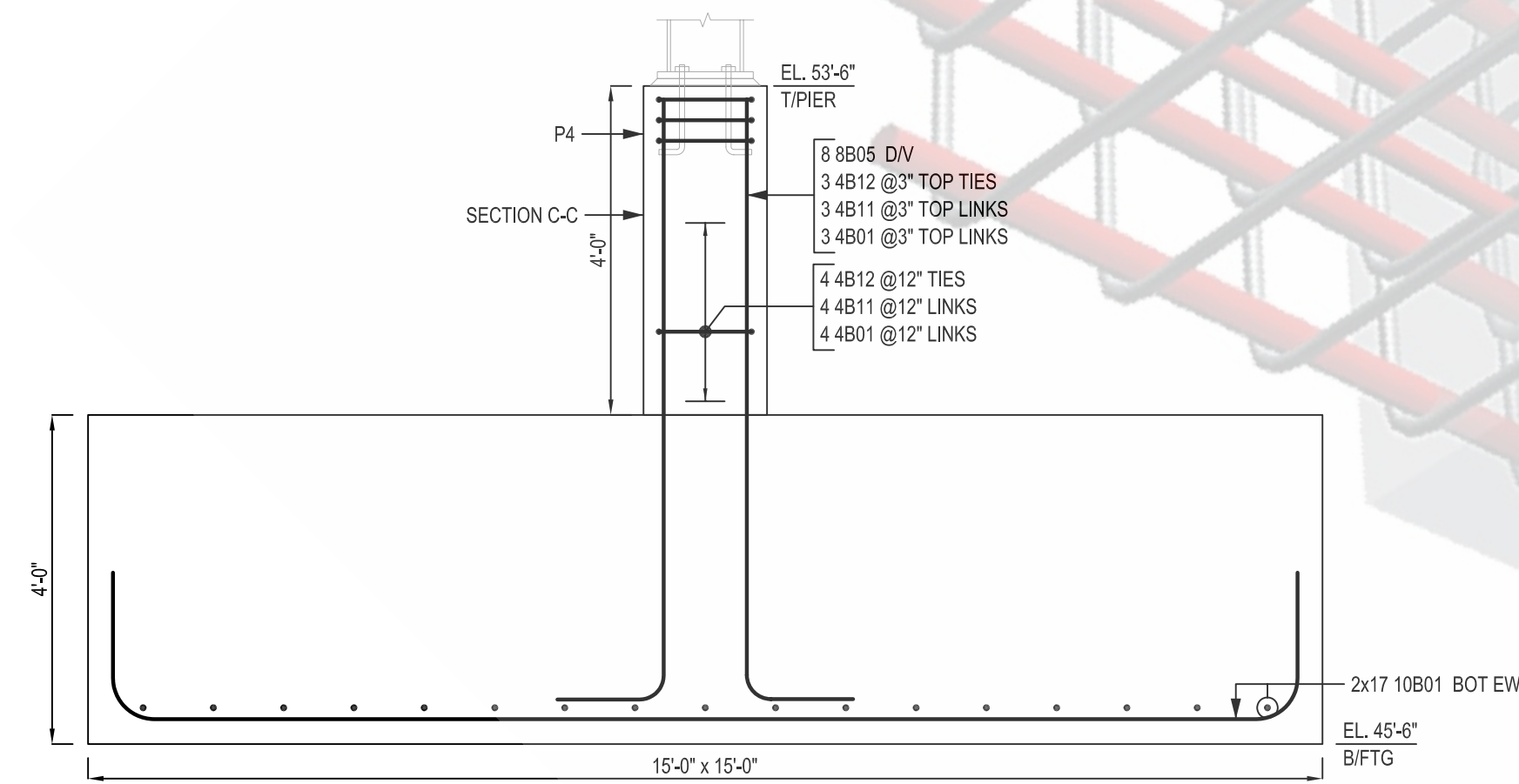
FOOTING - F14a
 SCALE: 1/2"=1'-0"
 SDR: S1-10-S-A
 (1 LOC)



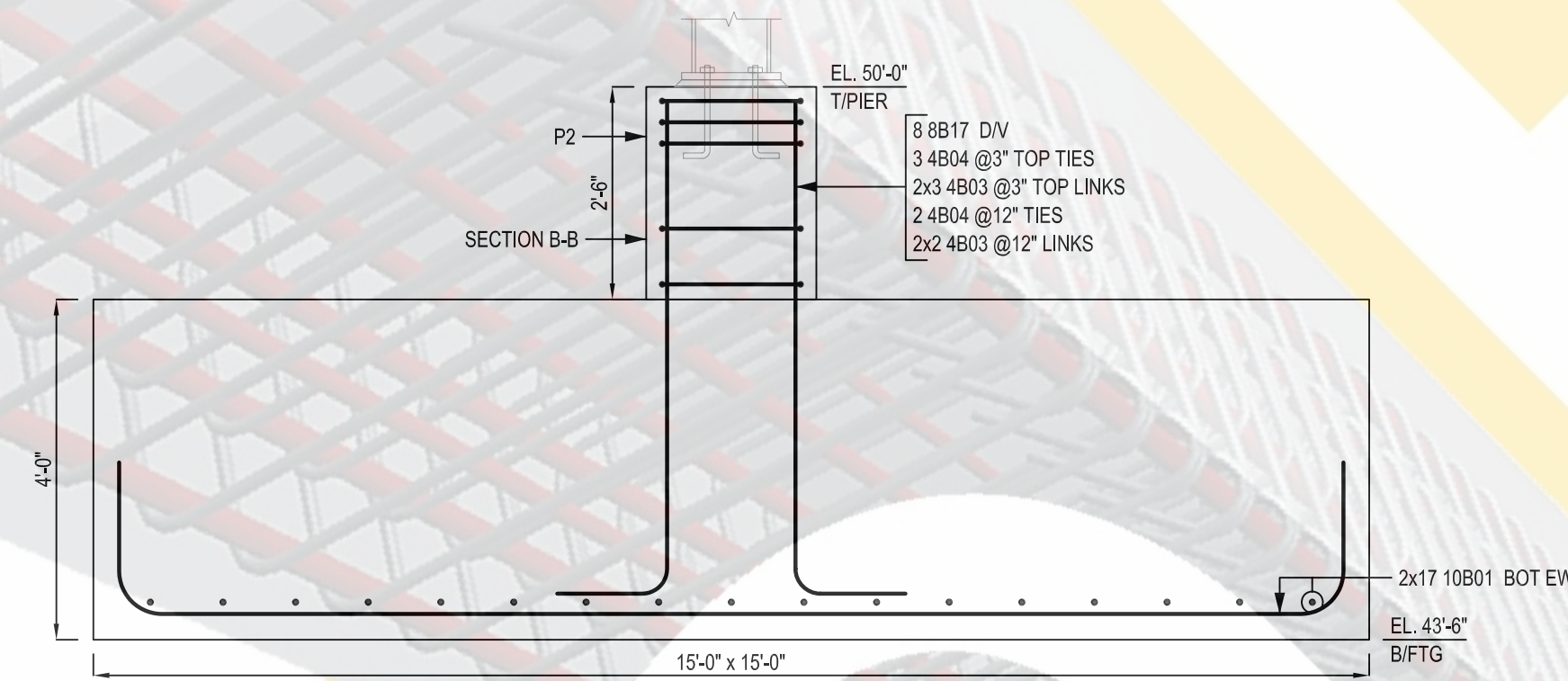
FOOTING - F15
 SCALE: 1/2"=1'-0"
 SDR: S1-10-S-A
 (1 LOC)



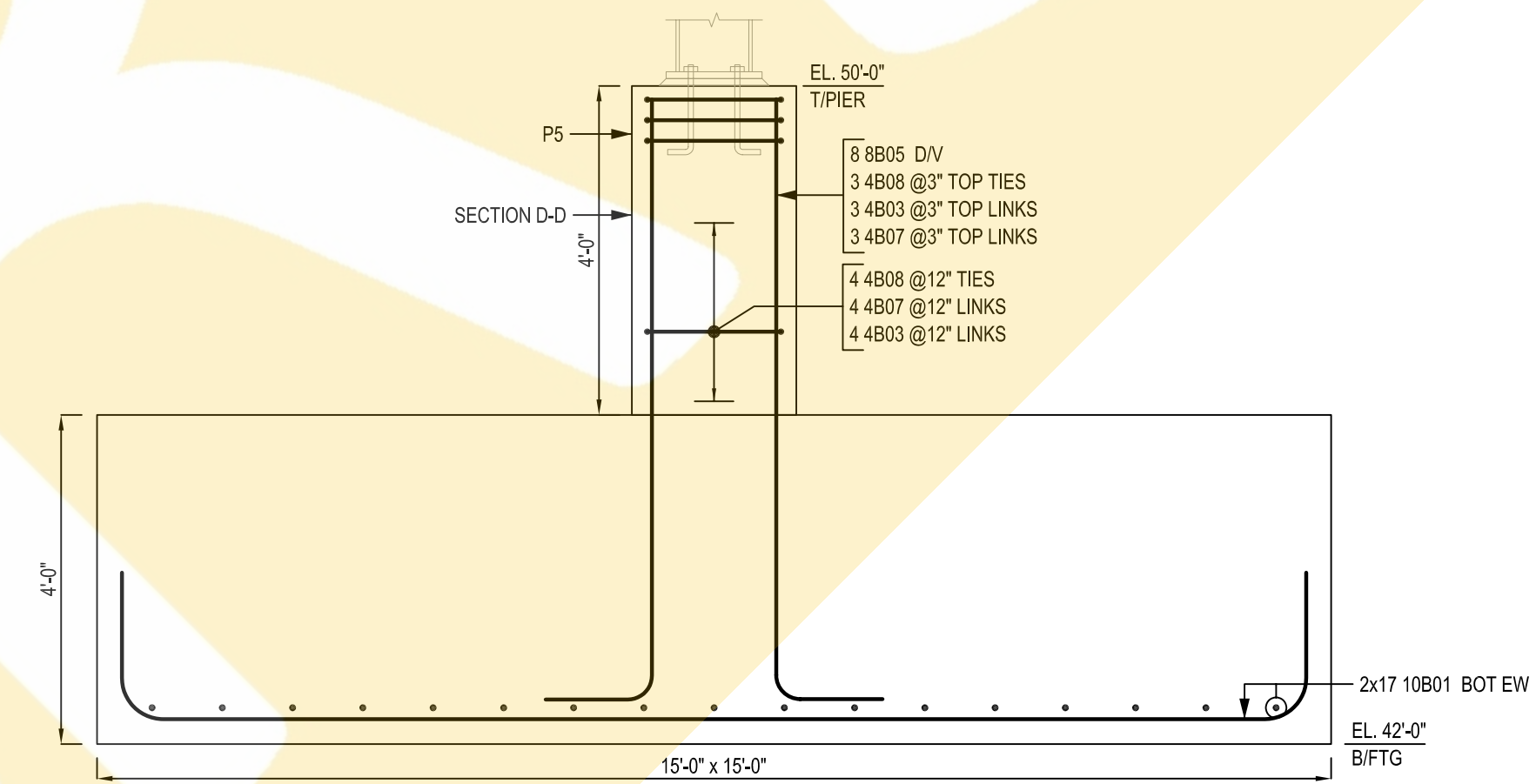
FOOTING - F15a
 SCALE: 1/2"=1'-0"
 SDR: S1-10-S-A
 (1 LOC)



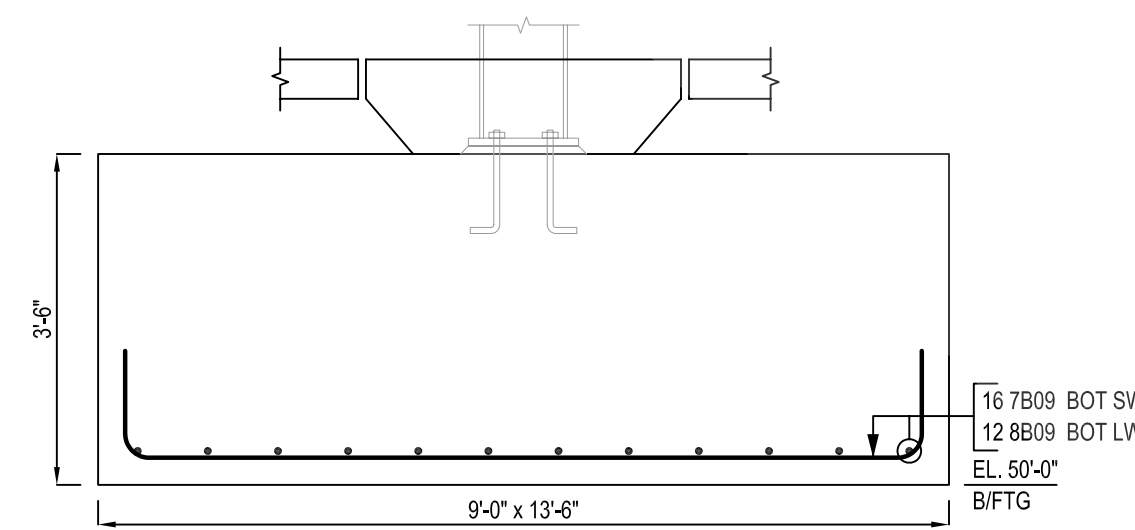
FOOTING - F15b
 SCALE: 1/2"=1'-0"
 SDR: S1-10-S-A
 (1 LOC)



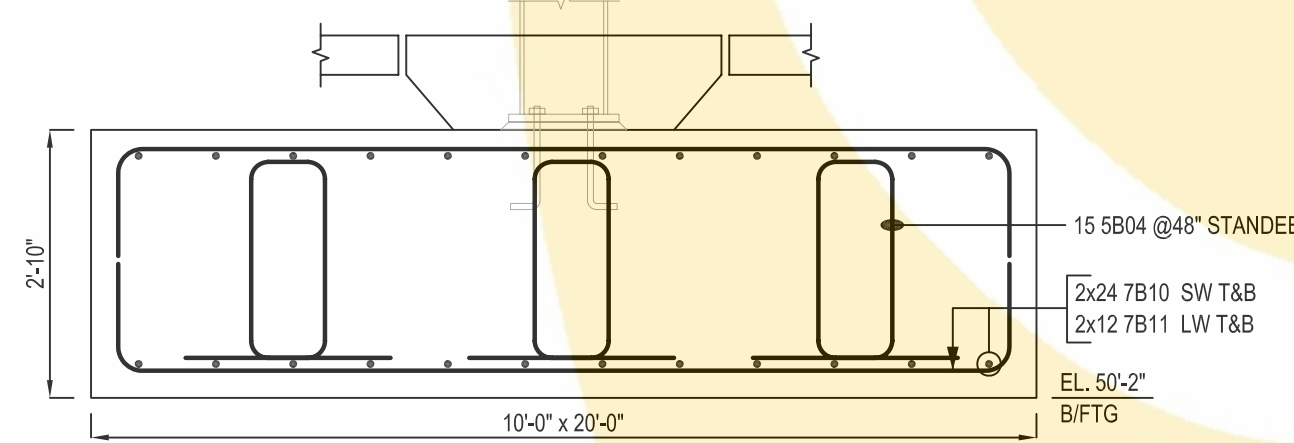
FOOTING - F15c
 SCALE: 1/2"=1'-0"
 SDR: S1-10-S-A
 (1 LOC)



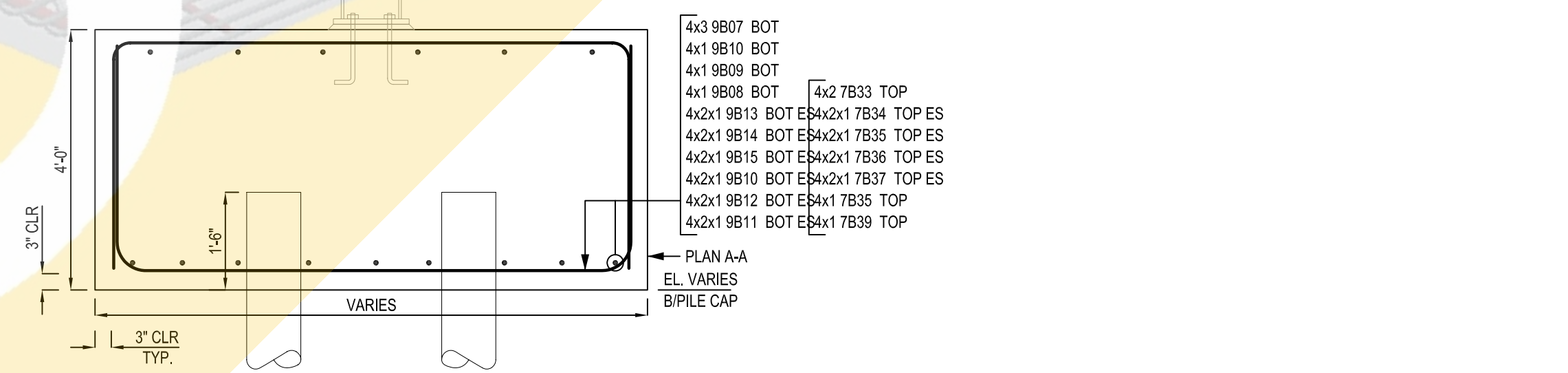
FOOTING - F15d
 SCALE: 1/2"=1'-0"
 SDR: S1-10-S-A
 (1 LOC)



FOOTING - F913
 SCALE: 1/2"=1'-0"
 SDR: S1-10-S-A
 (1 LOC)



FOOTING - F1020T
 SCALE: 1/2"=1'-0"
 SDR: S1-10-S-A
 (1 LOC)



PILE CAP PC3
 SCALE: 1/2"=1'-0"
 SDR: 1/S3-01-A
 (4 LOC)

